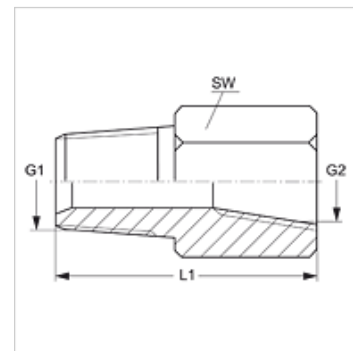


Lastnosti

| | |
|-------------------------|-----------------------|
| Priključek 1 | Zunanji navoj NPT |
| Oblika tesnila 1 | tesni navoje |
| Priključek 2 | notranji navoj NPT |
| Oblika tesnila 2 | tesni navoje |
| Način izdelave | vezni cevni nastavek |
| Oblika izdelave | ravno |
| Material: | jeklo |
| Zaščita površine | galvanično prevlečeno |



Artikel

| Opis | G1 | G2 | SW (mm) |
|---------------|------------------|------------------|---------|
| G HN 02 IN | 1/8" -27 NPT | 1/8" -27 NPT | 16 |
| G HN 02 IN 04 | 1/8" -27 NPT | 1/4" -18 NPT | 19 |
| G HN 02 IN 06 | 1/8" -27 NPT | 3/8" -18 NPT | 22 |
| G HN 02 IN 08 | 1/8" -27 NPT | 1/2" -14 NPT | 29 |
| G HN 04 IN 02 | 1/4" -18 NPT | 1/8" -27 NPT | 19 |
| G HN 04 IN | 1/4" -18 NPT | 1/4" -18 NPT | 19 |
| G HN 04 IN 06 | 1/4" -18 NPT | 3/8" -18 NPT | 22 |
| G HN 04 IN 08 | 1/4" -18 NPT | 1/2" -14 NPT | 29 |
| G HN 04 IN 12 | 1/4" -18 NPT | 3/4" -14 NPT | 35 |
| G HN 06 IN 02 | 3/8" -18 NPT | 1/8" -27 NPT | 22 |
| G HN 06 IN 04 | 3/8" -18 NPT | 1/4" -18 NPT | 22 |
| G HN 06 IN | 3/8" -18 NPT | 3/8" -18 NPT | 22 |
| G HN 06 IN 08 | 3/8" -18 NPT | 1/2" -14 NPT | 29 |
| G HN 08 IN 02 | 1/2" -14 NPT | 1/8" -27 NPT | 29 |
| G HN 08 IN 04 | 1/2" -14 NPT | 1/4" -18 NPT | 29 |
| G HN 08 IN 06 | 1/2" -14 NPT | 3/8" -18 NPT | 29 |
| G HN 08 IN | 1/2" -14 NPT | 1/2" -14 NPT | 27 |
| G HN 08 IN 12 | 1/2" -14 NPT | 3/4" -14 NPT | 35 |
| G HN 08 IN 16 | 1/2" -14 NPT | 1" -11,5 NPT | 41 |
| G HN 12 IN 04 | 3/4" -14 NPT | 1/4" -18 NPT | 35 |
| G HN 12 IN 06 | 3/4" -14 NPT | 3/8" -18 NPT | 35 |
| G HN 12 IN 08 | 3/4" -14 NPT | 1/2" -14 NPT | 35 |
| G HN 12 IN | 3/4" -14 NPT | 3/4" -14 NPT | 35 |
| G HN 12 IN 16 | 3/4" -14 NPT | 1" -11,5 NPT | 41 |
| G HN 12 IN 20 | 3/4" -14 NPT | 1,1/4" -11,5 NPT | 50 |
| G HN 16 IN 04 | 1" -11,5 NPT | 1/4" -18 NPT | 42 |
| G HN 16 IN 06 | 1" -11,5 NPT | 3/8" -18 NPT | 42 |
| G HN 16 IN 08 | 1" -11,5 NPT | 1/2" -14 NPT | 42 |
| G HN 16 IN 12 | 1" -11,5 NPT | 3/4" -14 NPT | 42 |
| G HN 16 IN 20 | 1" -11,5 NPT | 1,1/4" -11,5 NPT | 48 |
| G HN 20 IN 08 | 1,1/4" -11,5 NPT | 1/2" -14 NPT | 64 |
| G HN 20 IN 12 | 1,1/4" -11,5 NPT | 3/4" -14 NPT | 46 |
| G HN 20 IN 16 | 1,1/4" -11,5 NPT | 1" -11,5 NPT | 46 |
| G HN 20 IN 24 | 1,1/4" -11,5 NPT | 1,1/2" -11,5 NPT | 64 |
| G HN 24 IN 16 | 1,1/2" -11,5 NPT | 1" -11,5 NPT | 64 |
| G HN 24 IN 20 | 1,1/2" -11,5 NPT | 1,1/4" -11,5 NPT | 64 |
| G HN 24 IN 12 | 1,1/2" -11,5 NPT | 3/4" -14 NPT | 64 |
| G HN 32 IN 16 | 2" -11,5 NPT | 1" -11,5 NPT | 64 |
| G HN 32 IN 20 | 2" -11,5 NPT | 1,1/4" -11,5 NPT | 64 |
| G HN 32 IN 24 | 2" -11,5 NPT | 1,1/2" -11,5 NPT | 64 |

SW = ključna širina

Variante izdelka

G HN IN VA Vezni cevni nastavek, nerjavno jeklo