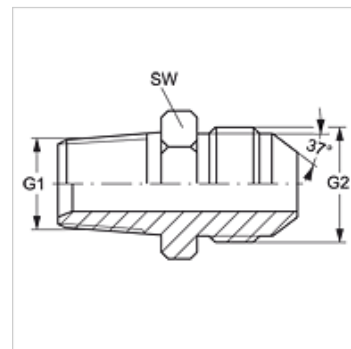


### Lastnosti

|                  |                       |
|------------------|-----------------------|
| Priključek 1     | Zunanji navoj NPT     |
| Oblika tesnila 1 | tesni navoje          |
| Priključek 2     | zunanji navoj UN/UNF  |
| Oblika tesnila 2 | 74° zunanji konus     |
| Način izdelave   | uvojni cevni nastavek |
| Oblika izdelave  | ravno                 |
| Material:        | jeklo                 |
| Zaščita površine | galvanično prevlečeno |



### Artikel

| Opis           | G1               | G2             | SW<br>(mm) |
|----------------|------------------|----------------|------------|
| GE HN 02 HJ 03 | 1/8" -27 NPT     | 3/8" -24 UNF   | 12         |
| GE HN 02 HJ 04 | 1/8" -27 NPT     | 7/16" -20 UNF  | 12         |
| GE HN 02 HJ 05 | 1/8" -27 NPT     | 1/2" -20 UNF   | 14         |
| GE HN 02 HJ 06 | 1/8" -27 NPT     | 9/16" -18 UNF  | 17         |
| GE HN 02 HJ 08 | 1/8" -27 NPT     | 3/4" -16 UNF   | 19         |
| GE HN 04 HJ    | 1/4" -18 NPT     | 7/16" -20 UNF  | 14         |
| GE HN 04 HJ 05 | 1/4" -18 NPT     | 1/2" -20 UNF   | 14         |
| GE HN 04 HJ 06 | 1/4" -18 NPT     | 9/16" -18 UNF  | 17         |
| GE HN 04 HJ 08 | 1/4" -18 NPT     | 3/4" -16 UNF   | 19         |
| GE HN 06 HJ    | 3/8" -18 NPT     | 9/16" -18 UNF  | 19         |
| GE HN 06 HJ 04 | 3/8" -18 NPT     | 7/16" -20 UNF  | 19         |
| GE HN 06 HJ 05 | 3/8" -18 NPT     | 1/2" -20 UNF   | 19         |
| GE HN 06 HJ 08 | 3/8" -18 NPT     | 3/4" -16 UNF   | 19         |
| GE HN 06 HJ 10 | 3/8" -18 NPT     | 7/8" -14 UNF   | 24         |
| GE HN 06 HJ 12 | 3/8" -18 NPT     | 1.1/16" -12 UN | 27         |
| GE HN 08 HJ 04 | 1/2" -14 NPT     | 7/16" -20 UNF  | 24         |
| GE HN 08 HJ 05 | 1/2" -14 NPT     | 1/2" -20 UNF   | 24         |
| GE HN 08 HJ 06 | 1/2" -14 NPT     | 9/16" -18 UNF  | 24         |
| GE HN 08 HJ    | 1/2" -14 NPT     | 3/4" -16 UNF   | 24         |
| GE HN 08 HJ 10 | 1/2" -14 NPT     | 7/8" -14 UNF   | 24         |
| GE HN 08 HJ 12 | 1/2" -14 NPT     | 1.1/16" -12 UN | 27         |
| GE HN 08 HJ 16 | 1/2" -14 NPT     | 1.5/16" -12 UN | 36         |
| GE HN 12 HJ 04 | 3/4" -14 NPT     | 7/16" -20 UNF  | 27         |
| GE HN 12 HJ 06 | 3/4" -14 NPT     | 9/16" -18 UNF  | 27         |
| GE HN 12 HJ 08 | 3/4" -14 NPT     | 3/4" -16 UNF   | 27         |
| GE HN 12 HJ 10 | 3/4" -14 NPT     | 7/8" -14 UNF   | 27         |
| GE HN 12 HJ    | 3/4" -14 NPT     | 1.1/16" -12 UN | 27         |
| GE HN 12 HJ 14 | 3/4" -14 NPT     | 1.3/16" -12 UN | 32         |
| GE HN 12 HJ 16 | 3/4" -14 NPT     | 1.5/16" -12 UN | 36         |
| GE HN 16 HJ    | 1" -11,5 NPT     | 1.5/16" -12 UN | 36         |
| GE HN 16 HJ 12 | 1" -11,5 NPT     | 1.1/16" -12 UN | 36         |
| GE HN 16 HJ 20 | 1" -11,5 NPT     | 1.5/8" -12 UN  | 46         |
| GE HN 16 HJ 24 | 1" -11,5 NPT     | 1.7/8" -12 UN  | 50         |
| GE HN 20 HJ 12 | 1.1/4" -11,5 NPT | 1.1/16" -12 UN | 46         |
| GE HN 20 HJ 16 | 1.1/4" -11,5 NPT | 1.5/16" -12 UN | 46         |
| GE HN 20 HJ    | 1.1/4" -11,5 NPT | 1.5/8" -12 UN  | 46         |
| GE HN 20 HJ 24 | 1.1/4" -11,5 NPT | 1.7/8" -12 UN  | 50         |
| GE HN 20 HJ 32 | 1.1/4" -11,5 NPT | 2.1/2" -12 UN  | 65         |
| GE HN 24 HJ 12 | 1.1/2" -11,5 NPT | 1.1/16" -12 UN | 50         |
| GE HN 24 HJ 16 | 1.1/2" -11,5 NPT | 1.5/16" -12 UN | 50         |
| GE HN 24 HJ 20 | 1.1/2" -11,5 NPT | 1.5/8" -12 UN  | 50         |
| GE HN 24 HJ    | 1.1/2" -11,5 NPT | 1.7/8" -12 UN  | 50         |
| GE HN 24 HJ 32 | 1.1/2" -11,5 NPT | 2.1/2" -12 UN  | 65         |
| GE HN 32 HJ 24 | 2" -11,5 NPT     | 1.7/8" -12 UN  | 65         |
| GE HN 32 HJ    | 2" -11,5 NPT     | 2.1/2" -12 UN  | 65         |

SW = ključna širina

### Variante izdelka

|             |                                       |
|-------------|---------------------------------------|
| GE HN HJ VA | Uvojni cevni nastavek, nerjavno jeklo |
|-------------|---------------------------------------|