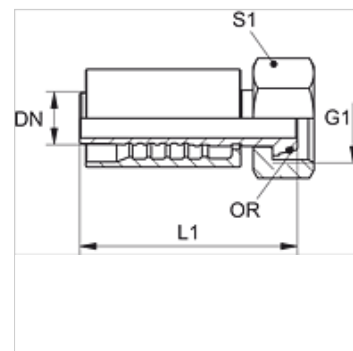


Lastnosti

Območje uporabe	zatisna armatura za cevi HD 700
Priključek 1	metrična matica
Oblika tesnila 1	24° zunanji konus s tesnilnim obročem
kratica	DKOS
Standard	ISO 8434-1
Vključitev	z zaščito pred pred odtrganjem (Interlock)
Obseg dobave	zatisna mazalka + okov
Material:	jeklo
Zaščita površine	galvanično prevlečeno



Artikel

Opis	DN	Size	Palec	Obratovalni tlak (bar)	G1	za zunanji Ø cevi (mm)	S1	L1 (mm)	OR
PA 710 AOS 08	10	6	3/8"	630,0	M 20 x 1,5	-	24	-	10,0 x 1,5
PA 710 AOS	10	6	3/8"	630,0	M 22 x 1,5	14	27	67,6	12,0 x 2,0
PA 713 AOS	12	8	1/2"	420,0	M 24 x 1,5	16	30	72,8	13,0 x 2,0
PA 713 AOS 16	12	8	1/2"	420,0	M 30 x 2	20	36	75,8	17,5 x 2,5
PA 716 AOS 13	16	10	5/8"	420,0	M 24 x 1,5	16	30	83,5	13,0 x 2,0
PA 716 AOS	16	10	5/8"	420,0	M 30 x 2	20	36	86,0	17,5 x 2,5
PA 716 AOS 20	16	10	5/8"	420,0	M 36 x 2	25	41	89,0	20,0 x 2,5
PA 720 AOS 16	19	12	3/4"	420,0	M 30 x 2	20	36	96,0	16,0 x 2,5
PA 720 AOS	19	12	3/4"	420,0	M 36 x 2	25	46	99,0	20,0 x 2,5
PA 720 AOS SW41	19	12	3/4"	420,0	M 36 x 2	25	41	99,0	20,0 x 2,5
PA 720 AOS 25	19	12	3/4"	420,0	M 42 x 2	30	50	100,0	25,0 x 2,5
PA 725 AOS 20	25	16	1"	420,0	M 36 x 2	25	46	112,0	20,0 x 2,5
PA 725 AOS	25	16	1"	420,0	M 42 x 2	30	50	113,0	25,0 x 2,5
PA 725 AOS 32	25	16	1"	420,0	M 52 x 2	38	60	131,0	33,0 x 2,5
PA 732 AOS 25 S	31	20	1.1/4"	420,0	M 42 x 2	30	50	151,0	27,0 x 2,5
PA 732 AOS S	31	20	1.1/4"	420,0	M 52 x 2	38	60	112,5	33,0 x 2,5
PA 740 AOS 32	38	24	1.1/2"	420,0	M 52 x 2	38	60	136,5	33,0 x 2,5

Variante izdelka

PA 700 AOS VA Stiskana armatura, DKOS, nerjavno jeklo