

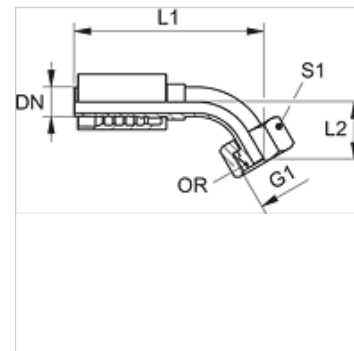
PA 700 AOS 45

Stiskana armatura, DKOS kot 45°

HANSA FLEX

Lastnosti

Območje uporabe	zatisna armatura za cevi HD 700
Priključek 1	metrična matica
Oblika tesnila 1	24° zunanji konus s tesnilnim obročem
kratica	DKOS
Standard	ISO 8434-1
Vključitev	z zaščito pred pred odtrganjem (Interlock)
Obseg dobave	zatisna mazalka + okov
Material:	jeklo
Zaščita površine	galvanično prevlečeno



Artikel

Opis	DN	Size	Palec	Obratovalni tlak (bar)	G1	za zunanji Ø cevi (mm)	L1 (mm)	S1	L2 (mm)	OR
PA 710 AOS 08 45	10	6	3/8"	630,0	M 20 x 1,5	12	-	24	-	10,0 x 1,5
PA 710 AOS 45	10	6	3/8"	630,0	M 22 x 1,5	14	94,2	27	-	12,0 x 2,0
PA 713 AOS 45	12	8	1/2"	420,0	M 24 x 1,5	16	95,0	30	21,5	13,0 x 2,0
PA 713 AOS 16 45	12	8	1/2"	420,0	M 30 x 2	20	108,0	36	27,0	17,5 x 2,5
PA 716 AOS 45	16	10	3/8"	420,0	M 30 x 2	20	118,0	36	27,0	17,5 x 2,5
PA 720 AOS 16 45	19	12	3/4"	420,0	M 30 x 2	20	133,0	36	27,0	16,0 x 2,5
PA 720 AOS 45 SW41	19	12	3/4"	420,0	M 36 x 2	25	136,0	41	30,0	20,0 x 2,5
PA 720 AOS 45	19	12	3/4"	420,0	M 36 x 2	25	136,0	46	30,0	20,0 x 2,5
PA 720 AOS 25 45	19	12	3/4"	420,0	M 42 x 2	30	142,0	50	35,0	27,0 x 2,5
PA 725 AOS 20 45	25	16	1"	420,0	M 36 x 2	25	156,5	41	34,5	20,0 x 2,5
PA 725 AOS 45	25	16	1"	420,0	M 42 x 2	30	164,0	50	34,5	25,0 x 2,5
PA 725 AOS 32 45	25	16	1"	420,0	M 52 x 2	38	170,0	60	41,0	33,0 x 2,5
PA 732 AOS 25 45 S	31	20	1.1/4"	420,0	M 42 x 2	30	175,0	50	39,5	27,0 x 2,5
PA 732 AOS 45 S	31	20	1.1/4"	420,0	M 52 x 2	38	200,0	60	43,0	33,0 x 2,5

Variante izdelka

PA 700 AOS 45 VA Stiskana armatura, DKOS kot 45°, nerjavno jeklo