

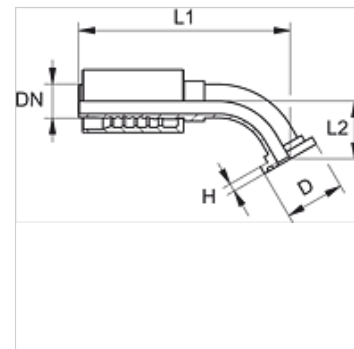
PA 700 SF9 45

Stiskana armatura, SFS-CAT kot 45°

HANSA FLEX

Lastnosti

| | |
|-------------------------|---------------------------------------|
| Območje uporabe | zatisna armatura za cevi HD 700 |
| Priključek 1 | priključek za prirobnico SAE 6000 PSI |
| Oblika tesnila 1 | plosko tesneče z SF-O-tesnilom |
| kratica | SFS-CAT |
| primerno za | Caterpillar |
| Vključitev | z zaščito pred odtrganjem (Interlock) |
| Obseg dobave | zatisna mazalka + okov |
| Material: | jeklo |
| Zaščita površine | galvanično prevlečeno |



Artikel

| Opis | DN | Size | Palec | velikost prirobnice | Obratovalni tlak (bar) | D (mm) | H (mm) | L1 (mm) | L2 (mm) |
|--------------------|----|------|--------|---------------------|------------------------|--------|--------|---------|---------|
| PA 720 SF9 45 | 19 | 12 | 3/4" | 3/4" | 420,0 | 41,3 | 14,2 | 139,0 | 34,0 |
| PA 720 SF9 25 45 | 19 | 12 | 3/4" | 1" | 420,0 | 47,6 | 14,2 | 143,0 | 37,5 |
| PA 725 SF9 20 45 | 25 | 16 | 1" | 3/4" | 420,0 | 41,3 | 14,2 | 157,0 | 35,0 |
| PA 725 SF9 45 | 25 | 16 | 1" | 1" | 420,0 | 47,6 | 14,2 | 167,0 | 36,5 |
| PA 725 SF9 32 45 | 25 | 16 | 1" | 1.1/4" | 420,0 | 54,0 | 14,2 | 172,0 | 41,5 |
| PA 732 SF9 25 45 S | 31 | 20 | 1.1/4" | 1" | 420,0 | 47,6 | 14,0 | 174,0 | 39,5 |
| PA 732 SF9 45 S | 31 | 20 | 1.1/4" | 1.1/4" | 420,0 | 54,0 | 14,0 | 187,0 | 44,0 |
| PA 732 SF9 40 45 S | 31 | 20 | 1.1/4" | 1.1/2" | 420,0 | 63,5 | 14,0 | 195,5 | 52,0 |
| PA 740 SF9 32 45 | 38 | 24 | 1.1/2" | 1.1/4" | 420,0 | 54,0 | 14,0 | 205,5 | 47,0 |
| PA 740 SF9 45 | 38 | 24 | 1.1/2" | 1.1/2" | 420,0 | 63,5 | 14,2 | 224,0 | 51,0 |