

# PAY 300 AN

Zatisna armatura, DKN

## Lastnosti

**Priključek 1** NPT-matični navoj (NPSM)

**Oblika tesnila 1** 60° zunanji konus

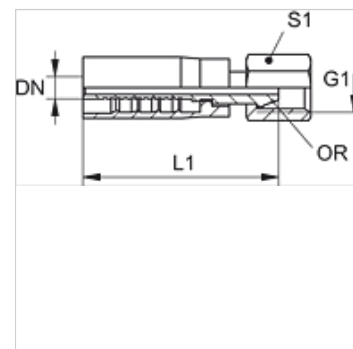
**kratica** DKN

**Standard** ANSI B 1.20.0

**Obseg dobave** zatisna mazalka + okov

**Material:** jeklo

**Zaščita površine** galvanično prevlečeno



## Artikel

Opis	DN	Size	Palec	G1	L1 (mm)	S1
PAY 306 AN	6	4	1/4"	1/4" -18 NPT	47,0	19
PAY 308 AN 10	8	5	5/16"	3/8" -18 NPT	48,0	22
PAY 310 AN	10	6	3/8"	3/8" -18 NPT	50,0	22
PAY 313 AN	12	8	1/2"	1/2" -14 NPT	50,0	27
PAY 316 AN 20	16	10	5/8"	3/4" -14 NPT	53,0	32
PAY 320 AN	19	12	3/4"	3/4" -14 NPT	59,0	32
PAY 325 AN	25	16	1"	1" -11,5 NPT	-	-