

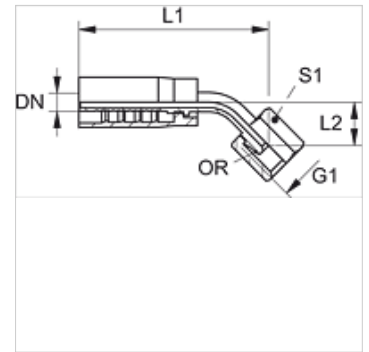
PAY 300 AOS 45

Stiskana armatura, DKOS kot 45°

HANSA FLEX

Lastnosti

Priključek 1	metrična matica
Oblika tesnila 1	24° zunanji konus s tesnilnim obročem
kratica	DKOS
Standard	ISO 8434-1
Obseg dobave	zatisna mazalka + okov
Material:	jeklo
Zaščita površine	galvanično prevlečeno



Artikel

Opis	DN	Size	Palec	G1	za zunanji Ø cevi (mm)	L1 (mm)	L2 (mm)	S1	OR
PAY 306 AOS 45	6	4	1/4"	M 18 x 1,5	10	82,0	24,0	22	7,5 x 1,5
PAY 308 AOS 45	8	5	5/16"	M 20 x 1,5	12	76,0	20,0	24	9,0 x 1,5
PAY 310 AOS 08 45	10	6	3/8"	M 20 x 1,5	12	81,0	19,0	24	9,0 x 1,5
PAY 313 AOS 45	12	8	1/2"	M 24 x 1,5	16	96,0	23,0	30	12,0 x 2,0
PAY 316 AOS 45	16	10	5/8"	M 30 x 2	20	120,0	30,0	36	16,0 x 2,5
PAY 320 AOS 45	19	12	3/4"	M 36 x 2	25	137,0	37,0	46	20,0 x 2,5
PAY 325 AOS 45	25	16	1"	M 42 x 2	30	136,0	43,0	50	25,0 x 2,5