

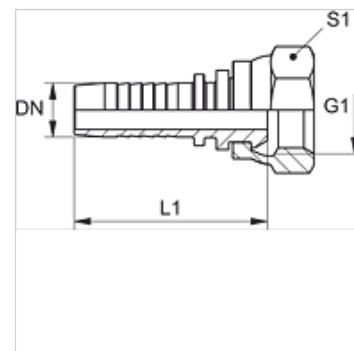
PN AB

Pritisni cevni priključek, DKR

HANSA FLEX

Lastnosti

Območje uporabe	tlačilna mazalka za cevi HD 100 do HD 400, KP, TE
Priključek 1	matični navoj BSP
Oblika tesnila 1	60° zunanji konus
kratica	DKR
Standard	ISO 8434-6 BS 5200
Material:	jeklo
Zaščita površine	galvanično prevlečeno



Navodilo

Ustrezni okov izbrati v skladu z vrsto cevi.

Artikel

Opis	DN	Size	Palec	Obratovalni tlak (bar)	G1	L1 (mm)	S1
PN 04 AB	5	3	3/16"	350,0	G 1/8" -28	37,0	14
PN 04 AB 06	5	3	3/16"	400,0	G 1/4" -19	37,5	19
PN 06 AB 02	6	4	1/4"	350,0	G 1/8" -28	43,0	14
PN 06 AB	6	4	1/4"	400,0	G 1/4" -19	44,5	19
PN 06 AB 10	6	4	1/4"	400,0	G 3/8" -19	46,5	22
PN 08 AB 06	8	5	5/16"	400,0	G 1/4" -19	45,0	19
PN 08 AB 10	8	5	5/16"	400,0	G 3/8" -19	47,0	22
PN 08 AB 13	8	5	5/16"	350,0	G 1/2" -14	48,5	27
PN 10 AB 06	10	6	3/8"	400,0	G 1/4" -19	46,5	19
PN 10 AB	10	6	3/8"	400,0	G 3/8" -19	48,0	22
PN 10 AB 13	10	6	3/8"	350,0	G 1/2" -14	49,5	27
PN 13 AB 10	12	8	1/2"	350,0	G 3/8" -19	48,0	22
PN 13 AB	12	8	1/2"	350,0	G 1/2" -14	50,5	27
PN 13 AB 16	12	8	1/2"	350,0	G 5/8" -14	49,5	30
PN 13 AB 20	12	8	1/2"	315,0	G 3/4" -14	52,0	32
PN 16 AB 13	16	10	5/8"	350,0	G 1/2" -14	55,0	27
PN 16 AB	16	10	5/8"	350,0	G 5/8" -14	54,0	30
PN 16 AB 20	16	10	5/8"	315,0	G 3/4" -14	57,0	32
PN 16 AB 25	16	10	5/8"	250,0	G 1" -11	62,0	38
PN 20 AB 13	19	12	3/4"	315,0	G 1/2" -14	62,0	27
PN 20 AB 16	19	12	3/4"	315,0	G 5/8" -14	61,0	30
PN 20 AB	19	12	3/4"	315,0	G 3/4" -14	64,0	32
PN 20 AB 25	19	12	3/4"	250,0	G 1" -11	67,0	38
PN 25 AB	25	16	1"	250,0	G 1" -11	75,0	38
PN 25 AB 32	25	16	1"	250,0	G 1,1/4" -11	80,5	50
PN 32 AB	31	20	1.1/4"	250,0	G 1,1/4" -11	88,0	50
PN 40 AB	38	24	1.1/2"	210,0	G 1,1/2" -11	92,0	55
PN 50 AB	51	32	2"	210,0	G 2" -11	110,5	70

Variante izdelka

PN AB VA Pritisni cevni priključek, DKR, nerjavno jeklo