

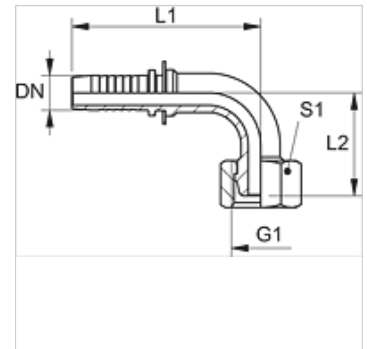
PN AB 90

Pritisni priključek, DKR kot 90°

HANSA FLEX

Lastnosti

Območje uporabe	tlačilna mazalka za cevi HD 100 do HD 400, KP, TE
Priključek 1	matični navoj BSP
Oblika tesnila 1	60° zunanji konus
kratica	DKR
Standard	ISO 8434-6 BS 5200
Material:	jeklo
Zaščita površine	galvanično prevlečeno



Navodilo

Ustrezni okov izbrati v skladu z vrsto cevi.

Artikel

Opis	DN	Size	Palec	Obratovalni tlak (bar)	G1	L1 (mm)	L2 (mm)	S1
PN 04 AB 90	5	3	3/16"	350,0	G 1/8" -28	47,5	27,5	14
PN 04 AB 06 90	5	3	3/16"	350,0	G 1/4" -19	49,0	27,0	19
PN 06 AB 02 90	6	4	1/4"	250,0	G 1/8" -28	57,0	27,5	14
PN 06 AB 90	6	4	1/4"	400,0	G 1/4" -19	55,0	27,0	19
PN 06 AB 10 90	6	4	1/4"	400,0	G 3/8" -19	56,0	29,0	22
PN 08 AB 06 90	8	5	5/16"	400,0	G 1/4" -19	55,0	31,0	17
PN 08 AB 10 90	8	5	5/16"	400,0	G 3/8" -19	58,0	29,0	22
PN 08 AB 13 90	8	5	5/16"	-	G 1/2" -14	62,5	34,0	27
PN 10 AB 06 90	10	6	3/8"	400,0	G 1/4" -19	64,0	36,5	19
PN 10 AB 90	10	6	3/8"	400,0	G 3/8" -19	64,0	33,0	22
PN 10 AB 13 90	10	6	3/8"	240,0	G 1/2" -14	64,0	34,0	27
PN 13 AB 10 90	12	8	1/2"	240,0	G 3/8" -19	72,5	40,0	22
PN 13 AB 90	12	8	1/2"	240,0	G 1/2" -14	72,5	38,0	27
PN 13 AB 16 90	12	8	1/2"	350,0	G 5/8" -14	71,5	42,5	30
PN 13 AB 20 90	12	8	1/2"	315,0	G 3/4" -14	71,5	45,5	32
PN 16 AB 90	16	10	5/8"	350,0	G 5/8" -14	87,0	52,5	30
PN 16 AB 20 90	16	10	5/8"	315,0	G 3/4" -14	87,0	55,0	32
PN 20 AB 90	19	12	3/4"	315,0	G 3/4" -14	99,0	58,0	32
PN 20 AB 25 90	19	12	3/4"	250,0	G 1" -11	99,0	62,0	38
PN 25 AB 90	25	16	1"	-	G 1" -11	126,0	74,0	38
PN 25 AB 32 90	25	16	1"	250,0	G 1,1/4" -11	127,0	69,5	50
PN 32 AB 90	31	20	1.1/4"	250,0	G 1,1/4" -11	150,5	92,0	50

Variante izdelka

PN AB 90 VA Pritisni priključek, DKR kot 90°, nerjavno jeklo