

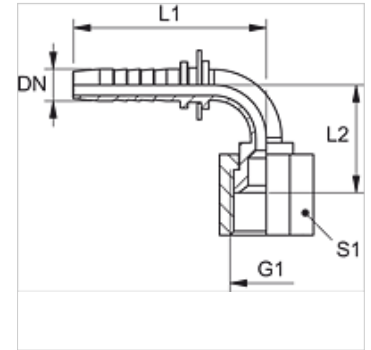
PN ALI 90

Pritisni priključek, JIS kot 90°

HANSA FLEX

Lastnosti

Območje uporabe	tlačilna mazalka za cevi HD 100 do HD 400, KP, TE
Priključek 1	metrična matica
Oblika tesnila 1	60° notranji konus
Standard	JIS 8363
primerno za	Komatsu
Material:	jeklo
Zaščita površine	galvanično prevlečeno



Navodilo

Ustrezni okov izbrati v skladu z vrsto cevi.

Artikel

Opis	DN	Size	Palec	Obratovalni tlak (bar)	G1	L1 (mm)	L2 (mm)	S1
PN 06 ALI 90	6	4	1/4"	345,0	M 14 x 1,5	63,0	31,0	17
PN 08 ALI 90	8	5	5/16"	345,0	M 16 x 1,5	70,0	42,0	19
PN 10 ALI 06 90	10	6	3/8"	345,0	M 14 x 1,5	64,0	31,0	19
PN 10 ALI 08 90	10	6	3/8"	345,0	M 16 x 1,5	72,0	42,0	22
PN 10 ALI 90	10	6	3/8"	345,0	M 18 x 1,5	73,0	42,0	22
PN 10 ALI 13 90	10	6	3/8"	345,0	M 22 x 1,5	89,0	58,0	27
PN 13 ALI 90	12	8	1/2"	345,0	M 22 x 1,5	88,0	58,0	27
PN 16 ALI 90	16	10	5/8"	275,0	M 24 x 1,5	92,0	58,0	30
PN 20 ALI 90	19	12	3/4"	275,0	M 30 x 1,5	109,0	67,0	36
PN 25 ALI 90	25	16	1"	205,0	M 33 x 1,5	118,0	70,0	41