

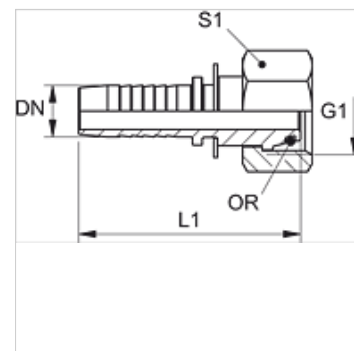
PN AOL

Pritisni cevni priključek, DKOL

HANSA FLEX

Lastnosti

| | |
|------------------|---|
| Območje uporabe | tlačilna mazalka za cevi HD 100 do HD 400, KP, TE |
| Priključek 1 | metrična matica |
| Oblika tesnila 1 | 24° zunanji konus s tesnilnim obročem |
| kratica | DKOL |
| Standard | ISO 8434-1 |
| Serijska | lahko |
| Material: | jeklo |
| Zaščita površine | galvanično prevlečeno |



Navodilo

Ustrezni okov izbrati v skladu z vrsto cevi.

Artikel

| Opis | DN | Size | Palec | Obratovalni tlak (bar) | G1 | za zunanji Ø cevi (mm) | L1 (mm) | S1 | OR |
|--------------|----|------|--------|------------------------|------------|------------------------|---------|----|------------|
| PN 04 AOL | 5 | 3 | 3/16" | - | M 12 x 1,5 | 6 | 45,5 | 14 | 4,0 x 1,5 |
| PN 04 AOL 06 | 5 | 3 | 3/16" | - | M 14 x 1,5 | 8 | 45,5 | 17 | 6,0 x 1,5 |
| PN 04 AOL 08 | 5 | 3 | 3/16" | - | M 16 x 1,5 | 10 | 46,0 | 19 | 7,5 x 1,5 |
| PN 06 AOL 04 | 6 | 4 | 1/4" | - | M 12 x 1,5 | 6 | 46,5 | 14 | 4,0 x 1,5 |
| PN 06 AOL | 6 | 4 | 1/4" | - | M 14 x 1,5 | 8 | 52,0 | 17 | 6,0 x 1,5 |
| PN 06 AOL 08 | 6 | 4 | 1/4" | - | M 16 x 1,5 | 10 | 52,0 | 19 | 7,5 x 1,5 |
| PN 06 AOL 10 | 6 | 4 | 1/4" | - | M 18 x 1,5 | 12 | 53,0 | 22 | 9,0 x 1,5 |
| PN 08 AOL 06 | 8 | 5 | 5/16" | - | M 14 x 1,5 | 8 | 47,0 | 17 | 6,0 x 1,5 |
| PN 08 AOL | 8 | 5 | 5/16" | - | M 16 x 1,5 | 10 | 52,0 | 19 | 7,5 x 1,5 |
| PN 08 AOL 10 | 8 | 5 | 5/16" | - | M 18 x 1,5 | 12 | 53,0 | 22 | 9,0 x 1,5 |
| PN 10 AOL 06 | 10 | 6 | 3/8" | - | M 14 x 1,5 | 8 | 50,5 | 17 | 6,0 x 1,5 |
| PN 10 AOL 08 | 10 | 6 | 3/8" | - | M 16 x 1,5 | 10 | 51,5 | 19 | 7,5 x 1,5 |
| PN 10 AOL | 10 | 6 | 3/8" | - | M 18 x 1,5 | 12 | 54,5 | 22 | 9,0 x 1,5 |
| PN 10 AOL 13 | 10 | 6 | 3/8" | - | M 22 x 1,5 | 15 | 56,5 | 27 | 12,0 x 2,0 |
| PN 13 AOL 10 | 12 | 8 | 1/2" | - | M 18 x 1,5 | 12 | 54,5 | 22 | 9,0 x 1,5 |
| PN 13 AOL | 12 | 8 | 1/2" | - | M 22 x 1,5 | 15 | 57,5 | 27 | 12,0 x 2,0 |
| PN 13 AOL 16 | 12 | 8 | 1/2" | - | M 26 x 1,5 | 18 | 59,0 | 32 | 15,0 x 2,0 |
| PN 16 AOL 13 | 16 | 10 | 5/8" | - | M 22 x 1,5 | 15 | 58,0 | 27 | 12,0 x 2,0 |
| PN 16 AOL | 16 | 10 | 5/8" | - | M 26 x 1,5 | 18 | 64,0 | 32 | 15,0 x 2,0 |
| PN 16 AOL 20 | 16 | 10 | 5/8" | - | M 30 x 2 | 22 | 64,5 | 36 | 20,0 x 2,0 |
| PN 20 AOL 16 | 19 | 12 | 3/4" | - | M 26 x 1,5 | 18 | 66,5 | 32 | 15,0 x 2,0 |
| PN 20 AOL | 19 | 12 | 3/4" | - | M 30 x 2 | 22 | 71,0 | 36 | 20,0 x 2,0 |
| PN 20 AOL 25 | 19 | 12 | 3/4" | - | M 36 x 2 | 28 | 73,0 | 41 | 26,0 x 2,0 |
| PN 25 AOL 20 | 25 | 16 | 1" | - | M 30 x 2 | 22 | 75,5 | 36 | 20,0 x 2,0 |
| PN 25 AOL | 25 | 16 | 1" | - | M 36 x 2 | 28 | 81,0 | 41 | 26,0 x 2,0 |
| PN 25 AOL 32 | 25 | 16 | 1" | - | M 45 x 2 | 35 | 85,5 | 50 | 32,0 x 2,5 |
| PN 32 AOL 25 | 31 | 20 | 1.1/4" | - | M 36 x 2 | 28 | 87,0 | 41 | 26,0 x 2,0 |
| PN 32 AOL | 31 | 20 | 1.1/4" | - | M 45 x 2 | 35 | 94,5 | 50 | 32,0 x 2,5 |
| PN 32 AOL 40 | 31 | 20 | 1.1/4" | - | M 52 x 2 | 42 | 94,5 | 60 | 38,0 x 2,5 |
| PN 40 AOL 32 | 38 | 24 | 1.1/2" | - | M 45 x 2 | 35 | 94,0 | 50 | 32,0 x 2,5 |
| PN 40 AOL | 38 | 24 | 1.1/2" | 100,0 | M 52 x 2 | 42 | 98,0 | 60 | 38,0 x 2,5 |
| PN 50 AOL 40 | 51 | 32 | 2" | - | M 52 x 2 | 42 | 112,5 | 60 | 38,0 x 2,5 |

Variante izdelka

PN AOL VA Pritisni cevni priključek, DKOL, nerjavno jeklo