

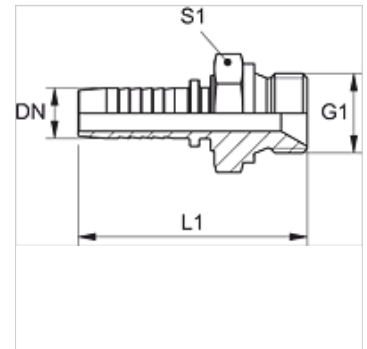
PN HB VA

Pritisni cevni priključek, AGR

HANSA FLEX

Lastnosti

Območje uporabe	tlačilna mazalka za cevi HD 100 do HD 400, KP, TE
Priključek 1	zunANJI navoj cilindrični BSP
Oblika tesnila 1	60° notranji konus
kratica	AGR
Standard	ISO 8434-6 BS 5200
Material:	nerjavno jeklo



Navodilo

Ustrezni okov izbrati v skladu z vrsto cevi.

Artikel

Opis	DN	Size	Palec	Obratovalni tlak (bar)	G1	S1
PN 06 HB 02 VA	6	4	1/4"	-	G 1/8" -28	14
PN 06 HB VA	6	4	1/4"	400,0	G 1/4" -19	19
PN 06 HB 10 VA	6	4	1/4"	400,0	G 3/8" -19	19
PN 06 HB 13 VA	6	4	1/4"	350,0	G 1/2" -14	27
PN 08 HB 06 VA	8	5	5/16"	400,0	G 1/4" -19	19
PN 08 HB 10 VA	8	5	5/16"	400,0	G 3/8" -19	22
PN 08 HB 13 VA	8	5	5/16"	350,0	G 1/2" -14	27
PN 10 HB 06 VA	10	6	3/8"	400,0	G 1/4" -19	19
PN 10 HB VA	10	6	3/8"	400,0	G 3/8" -19	22
PN 10 HB 13 VA	10	6	3/8"	350,0	G 1/2" -14	27
PN 13 HB 10 VA	12	8	1/2"	350,0	G 3/8" -19	22
PN 13 HB VA	12	8	1/2"	350,0	G 1/2" -14	27
PN 13 HB 20 VA	12	8	1/2"	315,0	G 3/4" -14	32
PN 16 HB 13 VA	16	10	5/8"	350,0	G 1/2" -14	27
PN 16 HB VA	16	10	5/8"	350,0	G 5/8" -14	30
PN 16 HB 20 VA	16	10	5/8"	250,0	G 3/4" -14	32
PN 20 HB 13 VA	19	12	3/4"	315,0	G 1/2" -14	27
PN 20 HB VA	19	12	3/4"	315,0	G 3/4" -14	32
PN 20 HB 25 VA	19	12	3/4"	250,0	G 1" -11	41
PN 25 HB 20 VA	25	16	1"	250,0	G 3/4" -14	36
PN 25 HB VA	25	16	1"	250,0	G 1" -11	41
PN 25 HB 32 VA	25	16	1"	160,0	G 1,1/4" -11	50
PN 32 HB VA	31	20	1.1/4"	160,0	G 1,1/4" -11	50
PN 32 HB 40 VA	31	20	1.1/4"	125,0	G 1,1/2" -11	55
PN 40 HB VA	38	24	1.1/2"	125,0	G 1,1/2" -11	55
PN 50 HB VA	51	32	2"	80,0	G 2" -11	70

Variante izdelka

PN HB Pritisni cevni priključek, AGR, jeklo