

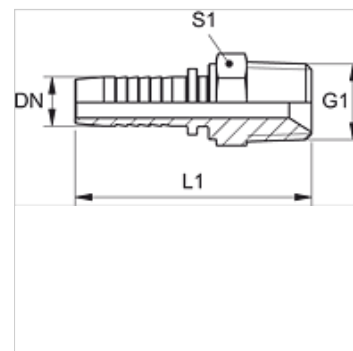
PN HBK

Pritisni cevni priključek, AGR-K

HANSA FLEX

Lastnosti

| | |
|------------------|---|
| Območje uporabe | tlačilna mazalka za cevi HD 100 do HD 400, KP, TE |
| Priključek 1 | Zunanji navoj konusni BSPT |
| Oblika tesnila 1 | tesni navoje |
| kratica | AGR-K |
| Material: | jeklo |
| Zaščita površine | galvanično prevlečeno |



Navodilo

Ustrezni okov izbrati v skladu z vrsto cevi.

Artikel

| Opis | DN | Size | Palec | G1 | L1 (mm) | S1 |
|--------------|----|------|--------|------------|------------|----|
| PN 04 HBK 02 | 5 | 3 | 3/16" | R 1/8" K | 43,0 | 12 |
| PN 04 HBK 06 | 5 | 3 | 3/16" | R 1/4" K | 47,5 | 14 |
| PN 06 HBK 02 | 6 | 4 | 1/4" | R 1/8" K | 49,0 | 12 |
| PN 06 HBK | 6 | 4 | 1/4" | R 1/4" K | 53,5 | 14 |
| PN 06 HBK 10 | 6 | 4 | 1/4" | R 3/8" K | 54,0 | 19 |
| PN 08 HBK 06 | 8 | 5 | 5/16" | R 1/4" K | 53,5 | 14 |
| PN 08 HBK 10 | 8 | 5 | 5/16" | R 3/8" K | 54,0 | 19 |
| PN 10 HBK 06 | 10 | 6 | 3/8" | R 1/4" K | 56,0 | 14 |
| PN 10 HBK | 10 | 6 | 3/8" | R 3/8" K | 56,5 | 19 |
| PN 10 HBK 13 | 10 | 6 | 3/8" | R 1/2" K | 61,0 | 22 |
| PN 13 HBK 10 | 12 | 8 | 1/2" | R 3/8" K | 58,0 | 19 |
| PN 13 HBK | 12 | 8 | 1/2" | R 1/2" K | 62,0 | 22 |
| PN 13 HBK 20 | 12 | 8 | 1/2" | R 3/4" K | 64,5 | 27 |
| PN 16 HBK 13 | 16 | 10 | 5/8" | R 1/2" K | 67,5 | 22 |
| PN 16 HBK | 16 | 10 | 5/8" | R 5/8" K | 70,5 | 24 |
| PN 16 HBK 20 | 16 | 10 | 5/8" | R 3/4" K | 69,0 | 27 |
| PN 20 HBK | 19 | 12 | 3/4" | R 3/4" K | 76,5 | 27 |
| PN 20 HBK 25 | 19 | 12 | 3/4" | R 1" K | 80,5 | 36 |
| PN 25 HBK | 25 | 16 | 1" | R 1" K | 88,5 | 36 |
| PN 25 HBK 32 | 25 | 16 | 1" | R 1,1/4" K | 91,5 | 46 |
| PN 32 HBK | 31 | 20 | 1.1/4" | R 1,1/4" K | 101,0 | 46 |
| PN 32 HBK 40 | 31 | 20 | 1.1/4" | R 1,1/2" K | 102,0 | 50 |
| PN 40 HBK | 38 | 24 | 1.1/2" | R 1,1/2" K | 105,5 | 50 |
| PN 40 HBK 50 | 38 | 24 | 1.1/2" | R 2" K | 113,0 | 65 |
| PN 50 HBK | 51 | 32 | 2" | R 2" K | 127,5 | 65 |

Variante izdelka

PN HBK VA Pritisni cevni priključek, AGR-K, nerjavno jeklo