

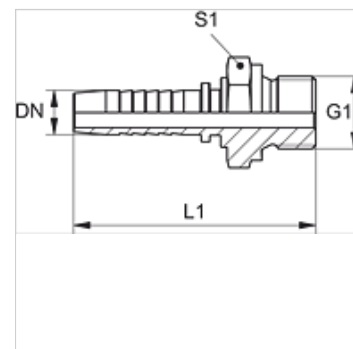
PN HR

Pritisni cevni priključek, AGR - ploščat

HANSA FLEX

Lastnosti

Območje uporabe	tlačilna mazalka za cevi HD 100 do HD 400, KP, TE
Priključek 1	zunANJI navoj cilindrični BSP
Oblika tesnila 1	ploščato tesnenje
kratica	AGR-plosko
Material:	jeklo
Zaščita površine	galvanično prevlečeno



Navodilo

Ustrezni okov izbrati v skladu z vrsto cevi.

Artikel

Opis	DN	Size	Palec	G1	L1 (mm)	S1
PN 04 HR	5	3	3/16"	G 1/8" -28	43,5	14
PN 06 HR	6	4	1/4"	G 1/4" -19	51,5	19
PN 06 HR 10	6	4	1/4"	G 3/8" -19	54,5	22
PN 08 HR 06	8	5	5/16"	G 1/4" -19	52,0	19
PN 08 HR 10	8	5	5/16"	G 3/8" -19	55,0	22
PN 10 HR	10	6	3/8"	G 3/8" -19	56,0	22
PN 10 HR 13	10	6	3/8"	G 1/2" -14	61,0	27
PN 13 HR 10	12	8	1/2"	G 3/8" -19	57,0	22
PN 13 HR	12	8	1/2"	G 1/2" -14	62,0	27
PN 13 HR 16	12	8	1/2"	G 5/8" -14	63,0	30
PN 13 HR 20	12	8	1/2"	G 3/4" -14	66,0	32
PN 16 HR	16	10	5/8"	G 5/8" -14	67,5	30
PN 16 HR 20	16	10	5/8"	G 3/4" -14	70,5	32
PN 16 HR 25	16	10	5/8"	G 1" -11	77,0	41
PN 20 HR	19	12	3/4"	G 3/4" -14	78,0	32
PN 20 HR 25	19	12	3/4"	G 1" -11	84,5	41
PN 20 HR 32	19	12	3/4"	G 1,1/4" -11	90,5	50
PN 25 HR	25	16	1"	G 1" -11	92,0	41
PN 25 HR 32	25	16	1"	G 1,1/4" -11	98,0	50
PN 32 HR	31	20	1.1/4"	G 1,1/4" -11	107,0	50
PN 40 HR	38	24	1.1/2"	G 1,1/2" -11	112,5	55
PN 50 HR	51	32	2"	G 2" -11	134,5	70

Variante izdelka

PN HR VA Pritisni cevni priključek, AGR - ploščat, nerjavno jeklo