

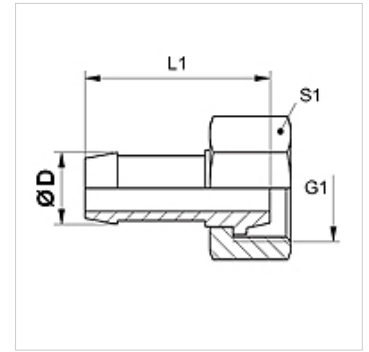
# SIN AFL

Pritisni priključek, DKL

**HANSA FLEX**

## Lastnosti

Priključek 1	metrična matica
Oblika tesnila 1	24°/60° Universal sealing head
kratica	DKL
Standard	podobno DIN 3863
Material:	jeklo
Zaščita površine	galvanično prevlečeno



## Navodilo

Ustrezni okov izbrati v skladu z vrsto cevi.

## Artikel

Opis	DN	Size	Palec	Ø D (mm)	G1	L1 (mm)	S1
SIN 03 AFL 02	3	2	1/8"	5,0	M 10 x 1	27	12
SIN 04 AFL	4	3	3/16"	6,0	M 12 x 1,5	30	14
SIN 04 AFL 06	4	3	3/16"	6,0	M 14 x 1,5	31	17
SIN 04 AFL 08	4	3	3/16"	6,0	M 16 x 1,5	31	19
SIN 06 AFL	6	4	1/4"	8,0	M 14 x 1,5	32	17
SIN 06 AFL 08	6	4	1/4"	8,0	M 16 x 1,5	33	19
SIN 08 AFL	8	5	5/16"	10,0	M 16 x 1,5	33	19
SIN 08 AFL 10	8	5	5/16"	10,0	M 18 x 1,5	33	22
SIN 10 AFL	10	6	3/8"	12,0	M 18 x 1,5	35	22
SIN 13 AFL	12	8	1/2"	15,0	M 22 x 1,5	43	27
SIN 13 AFL 16	12	8	1/2"	15,0	M 26 x 1,5	41	32
SIN 16 AFL	16	10	5/8"	18,0	M 26 x 1,5	42	32