

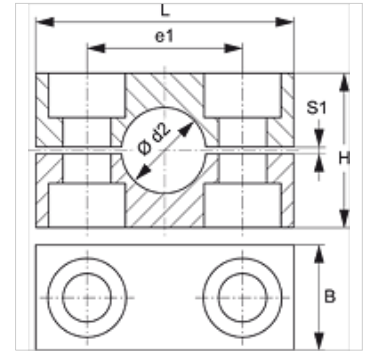
SRS 30-100 PA

Cevna objemka, težka izvedba

HANSA FLEX

Lastnosti

Način izdelave	enoceвна objemka
Način izdelave-dodatek	notranja stran objemke z rebri
Serijska	težko
Standard	DIN 3015-2
Temperatura min.	-40 °C
Temperatura max.	120 °C
Material:	poliamid 6



Opis

Rebra na notranji površini objemk dušijo udarce in vibracije in zmanjšujejo sile vzporedno z osjo cevi. Reza med obema polovicama ima za posledico prednapetje cevi.

Navodila za naročanje

1 kos = 2 polovici objemke

Artikel

Opis	Velikost objemke	Zunanji Ø cevi d2 (mm)	Zunanji Ø cevi d2	B (mm)	e1 (mm)	H (mm)	L (mm)	S1 (mm)
SRS 3006 PA	1	6,0	-	30	33	32	56	2
SRS 3008 PA	1	8,0	5/16"	30	33	32	56	2
SRS 3010 PA	1	10,0	-	30	33	32	56	2
SRS 3012 PA	1	12,0	-	30	33	32	56	2
SRS 3012.7 PA	1	12,7	1/2"	30	33	32	56	2
SRS 3013.5 PA	1	13,5	-	30	33	32	56	2
SRS 3014 PA	1	14,0	-	30	33	32	56	2
SRS 3015 PA	1	15,0	-	30	33	32	56	2
SRS 3016 PA	1	16,0	5/8"	30	33	32	56	2
SRS 3017.2 PA	1	17,2	-	30	33	32	56	2
SRS 3018 PA	1	18,0	-	30	33	32	56	2
SRS 4019 PA	2	19,0	3/4"	30	45	48	71	2
SRS 4020 PA	2	20,0	-	30	45	48	71	2
SRS 4021.3 PA	2	21,3	-	30	45	48	71	2
SRS 4022 PA	2	22,0	-	30	45	48	71	2
SRS 4023 PA	2	23,0	-	30	45	48	71	2
SRS 4025 PA	2	25,0	1"	30	45	48	71	2
SRS 4026.9 PA	2	26,9	-	30	45	48	71	2
SRS 4028 PA	2	28,0	-	30	45	48	71	2
SRS 4030 PA	2	30,0	-	30	45	48	71	2
SRS 5030 PA	3	30,0	-	30	60	60	86	2
SRS 5032 PA	3	32,0	1.1/4"	30	60	60	86	2
SRS 5033.7 PA	3	33,7	-	30	60	60	86	2
SRS 5035 PA	3	35,0	-	30	60	60	86	2
SRS 5038 PA	3	38,0	1.1/2"	30	60	60	86	2
SRS 5040 PA	3	40,0	-	30	60	60	86	2
SRS 5042 PA	3	42,0	-	30	60	60	86	2
SRS 6038 PA	4	38,0	1.1/2"	45	90	90	117	3
SRS 6040 PA	4	40,0	-	45	90	90	117	3
SRS 6042 PA	4	42,0	-	45	90	90	117	3
SRS 6045 PA	4	45,0	-	45	90	90	117	3
SRS 6048.3 PA	4	48,3	-	45	90	90	117	3
SRS 6050 PA	4	50,0	-	45	90	90	117	3
SRS 6051 PA	4	51,0	2"	45	90	90	117	3
SRS 6052 PA	4	52,0	-	45	90	90	117	3
SRS 6055 PA	4	55,0	-	45	90	90	117	3
SRS 6057 PA	4	57,0	2.1/4"	45	90	90	117	3
SRS 6060.3 PA	4	60,3	-	45	90	90	117	3
SRS 6063 PA	4	63,0	2.1/2"	45	90	90	117	3
SRS 6065 PA	4	65,0	-	45	90	90	117	3
SRS 6070 PA	4	70,0	-	45	90	90	117	3



Kljub skrbnemu preverjanju napak ne moremo izključiti in za informacije, ki so tu navedene, ne prevzemamo nobene odgovornosti.

24.04.2026

HANSA-FLEX AG

www.hansa-flex.com

1

SRS 30-100 PA

Cevna objemka, težka izvedba

HANSA FLEX

Artikel

Opis	Velikost objemke	Zunanji Ø cevi d2 (mm)	Zunanji Ø cevi d2	B (mm)	e1 (mm)	H (mm)	L (mm)	S1 (mm)
SRS 7070 PA	5	70,0	-	60	122	120	154	5
SRS 7073 PA	5	73,0	-	60	122	120	154	5
SRS 7075 PA	5	75,0	-	60	122	120	154	5
SRS 7076.1 PA	5	76,1	3"	60	122	120	154	5
SRS 7080 PA	5	80,0	-	60	122	120	154	5
SRS 7082.5 PA	5	82,5	3.1/4"	60	122	120	154	5
SRS 7088.9 PA	5	88,9	3.1/2"	60	122	120	154	5
SRS 7090 PA	5	90,0	-	60	122	120	154	5
SRS 8090 PA	6	90,0	-	80	168	170	205	6
SRS 8097 PA	6	97,0	-	80	168	170	205	6
SRS 8100 PA	6	100,0	-	80	168	170	205	6
SRS 8101.6 PA	6	101,6	4"	80	168	170	205	6
SRS 8108 PA	6	108,0	4.1/4"	80	168	170	205	6
SRS 8114.3 PA	6	114,3	4.1/2"	80	168	170	205	6
SRS 8127 PA	6	127,0	5"	80	168	170	205	6
SRS 9127 PA	7	127,0	5"	90	205	200	250	6
SRS 9133 PA	7	133,0	5.1/4"	90	205	200	250	6
SRS 9140 PA	7	140,0	5.1/2"	90	205	200	250	6
SRS 9150 PA	7	150,0	-	90	205	200	250	6
SRS 9152.4 PA	7	152,4	6"	90	205	200	250	6
SRS 9159 PA	7	159,0	6.1/4"	90	205	200	250	6
SRS 9165.1 PA	7	165,1	6.1/2"	90	205	200	250	6
SRS 9168.3 PA	7	168,3	6.5/8"	90	205	200	250	6
SRS 10168.3 PA	8	168,3	6.5/8"	120	265	270	320	6
SRS 10177.8 PA	8	177,8	7"	120	265	270	320	6
SRS 10193.7 PA	8	193,7	7.5/8"	120	265	270	320	6
SRS 10203 PA	8	203,0	-	120	265	270	320	6
SRS 10219.1 PA	8	219,1	8.5/8"	120	265	270	320	6
SRS 10220 PA	8	220,0	-	120	265	270	320	6

Variante izdelka

SRS 30-100 AL	Cevna objemka, težka izvedba, notranja stran objemke z rebri
SRS 30-100 PP	Cevna objemka, težka izvedba, notranja stran objemke z rebri
SRS 30-100 PP G	Cevna objemka, težka izvedba, notranja stran objemke gladka
SRS 30-100 VG	Cevna objemka, težka izvedba, notranja stran objemke z rebri