

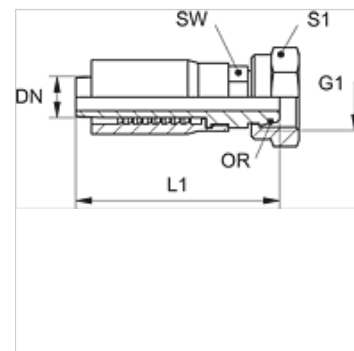
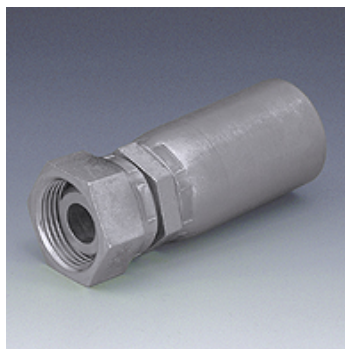
TRP AOS

Zatisna armatura, DKOS

HANSA FLEX

Lastnosti

Priključek 1	metrična matica
Oblika tesnila 1	24° zunanji konus s tesnilnim obročem
kratica	DKOS
Standard	ISO 8434-1
Obseg dobave	zatisna mazalka + okov
Material:	jeklo
Zaščita površine	galvanično prevlečeno



Artikel

Opis	DN	Size	Palec	Seriya	G1	za zunanji Ø cevi (mm)	L1 (mm)	SW (mm)	S1	OR
TRP 04 AOS	5	3	3/16"	S	M 16 x 1,5	8	55,0	14	22	6,0 x 1,5
TRP 06 AOS 04	6	4	1/4"	S	M 16 x 1,5	8	61,0	17	22	6,0 x 1,5
TRP 06 AOS	6	4	1/4"	S	M 18 x 1,5	10	61,0	17	22	7,5 x 1,5
TRP 08 AOS 06	8	5	5/16"	S	M 18 x 1,5	10	64,0	19	22	7,5 x 1,5
TRP 08 AOS	8	5	5/16"	S	M 20 x 1,5	12	64,0	19	24	9,0 x 1,5
TRP 10 AOS 08	10	6	3/8"	S	M 20 x 1,5	12	68,0	19	24	9,0 x 1,5
TRP 10 AOS	10	6	3/8"	S	M 22 x 1,5	14	68,0	22	27	10,0 x 2,0
TRP 13 AOS	12	8	1/2"	S	M 24 x 1,5	16	75,0	24	30	12,0 x 2,0