

# HK MPF GEH

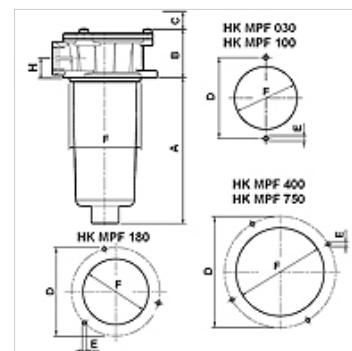
Ohišje za filter povratnega toka MPF

**HANSA FLEX**

## Lastnosti

**Izvedba** z obvodnim ventilom 1,75 bar, brez prikaza onesnaženosti brez filtrirnega elementa

**Obratovalni tlak** maks. 8 bar



## Navodilo

Mera "C": potreben prosti prostor za zamenjavo filtrirnega elementa

## Opis

Filter povratnega toka za vgradnjo v pokrov posode, mere za izvrtino so prikazane na sliki.

Connector for clogging indicator G 1/8" closed with bolt

## Navodila za naročanje

Filtrirni element ni priložen! Prosimo, naročite ga posebej.

## Artikel

| Opis            | Priključek za vodovod | A<br>(mm) | B<br>(mm) | C<br>(mm) | D<br>(mm) | E<br>(mm) | F<br>(mm) | H<br>(mm) | Teža<br>(kg) |
|-----------------|-----------------------|-----------|-----------|-----------|-----------|-----------|-----------|-----------|--------------|
| HK MPF 030 1 G1 | G 1/2"                | 86        | 56,0      | 100       | 90        | 7,0       | 66,0      | 22,0      | 0,28         |
| HK MPF 100 1 G1 | G 1/2"                | 100       | 80,0      | 120       | 115       | 8,5       | 88,0      | 28,0      | 0,58         |
| HK MPF 100 1 G2 | G 3/4"                | 100       | 80,0      | 120       | 115       | 8,5       | 88,0      | 28,0      | 0,58         |
| HK MPF 100 1 G3 | G 1"                  | 100       | 80,0      | 120       | 115       | 8,5       | 88,0      | 28,0      | 0,58         |
| HK MPF 100 2 G2 | G 3/4"                | 150       | 80,0      | 170       | 115       | 8,5       | 88,0      | 28,0      | 0,60         |
| HK MPF 100 2 G3 | G 1"                  | 150       | 80,0      | 170       | 115       | 8,5       | 88,0      | 28,0      | 0,60         |
| HK MPF 100 3 G2 | G 3/4"                | 225       | 80,0      | 250       | 115       | 8,5       | 88,0      | 28,0      | 0,64         |
| HK MPF 100 3 G3 | G 1"                  | 225       | 80,0      | 250       | 115       | 8,5       | 88,0      | 28,0      | 0,64         |
| HK MPF 180 1 G1 | G 1.1/4"              | 231       | 89,0      | 250       | 175       | 10,7      | 129,0     | 35,0      | 1,41         |
| HK MPF 400 1 G1 | G 1.1/4"              | 178       | 98,5      | 200       | 220       | 11,5      | 173,5     | 38,5      | 2,87         |
| HK MPF 400 2 G2 | G 1.1/2"              | 238       | 98,5      | 250       | 220       | 11,5      | 173,5     | 38,5      | 2,74         |
| HK MPF 400 2 G3 | G 2"                  | 238       | 98,5      | 250       | 220       | 11,5      | 173,5     | 38,5      | 2,74         |
| HK MPF 400 3 G3 | G 2"                  | 288       | 98,5      | 310       | 220       | 11,5      | 173,5     | 38,5      | 2,86         |
| HK MPF 750 1 G1 | G 2"                  | 430       | 105,0     | 450       | 220       | 11,5      | 173,5     | 48,5      | 4,36         |

## Pribor

HK MPF TE Cevni podaljšek za filter povratnega toka MPF

HK VA MAN Clogging indicator pressure gauge

## Nadomestni deli

HK MF P10 / A10 Filtrirni element za filter povratnega toka MPF