

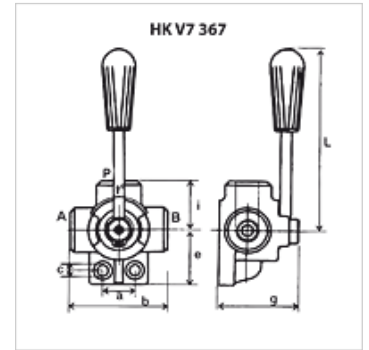
HK V7 367

3/3-potni preklopni ventil

HANSA FLEX

Lastnosti

| | |
|------------------|--|
| Izvedba | Tip A - srednji položaj odprto Tip C - srednji položaj zaprto |
| Material: | Ohišje: litina, notranji deli iz jekla |



Navodilo

Rotary slide valves can be pressurised from all sides and are designed to have less internal leakage

Artikel

| Opis | Tlak max. (bar) | Priključki | Q max. (L/min) | a (mm) | b (mm) | c (mm) | e (mm) | g (mm) | i (mm) | L (mm) | Teža (kg) |
|---------------|--------------------|------------|-------------------|-----------|-----------|-----------|-----------|-----------|-----------|-----------|--------------|
| HK V7 367 A06 | 250 | 3/8" | 40 | 24 | 73 | 8,5 | 42 | 62 | 36 | 110 | 0,92 |
| HK V7 367 A08 | 250 | 1/2" | 60 | 30 | 85 | 11,0 | 53 | 70 | 43 | 120 | 1,46 |
| HK V7 367 A12 | 220 | 3/4" | 120 | 32 | 91 | 11,0 | 54 | 80 | 47 | 125 | 1,86 |
| HK V7 367 A16 | 220 | 1" | 180 | 32 | 98 | 11,0 | 64 | 90 | 51 | 130 | 2,56 |
| HK V7 367 C06 | 250 | 3/8" | 40 | 24 | 73 | 8,5 | 42 | 62 | 36 | 110 | 0,92 |
| HK V7 367 C08 | 250 | 1/2" | 60 | 30 | 85 | 11,0 | 53 | 70 | 43 | 120 | 1,46 |
| HK V7 367 C12 | 220 | 3/4" | 120 | 32 | 91 | 11,0 | 54 | 80 | 47 | 125 | 1,86 |
| HK V7 367 C16 | 220 | 1" | 180 | 32 | 98 | 11,0 | 64 | 90 | 51 | 130 | 2,56 |