

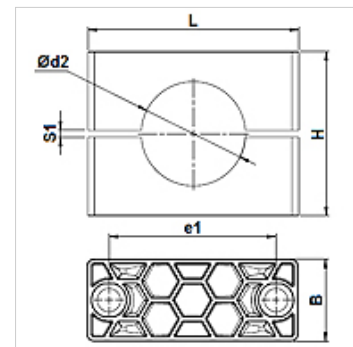
SRS 30-100 PP

Cevna objemka, težka izvedba

HANSA FLEX

Lastnosti

| | |
|------------------------|--------------------------------|
| Način izdelave | enoceвна objemka |
| Način izdelave-dodatek | notranja stran objemke z rebri |
| Serijska | težko |
| Standard | DIN 3015-2 |
| Temperatura min. | -30 °C |
| Temperatura max. | 90 °C |
| Material: | polipropilen |



Navodilo

Za pritrnitev cevi in kablov se priporoča uporaba objemk z gladko notranjo površino. Montira se brez prednapetja, višina bloka H se zato zmanjša za dimenzijo S1 vrzeli.

Opis

Rebra na notranji površini objemk dušijo udarce in vibracije in zmanjšujejo sile vzporedno z osjo cevi. Reža med obema polovicama ima za posledico prednapetje cevi.

Navodila za naročanje

1 kos = 2 polovici objemke

Artikel

| Opis | Velikost objemke | Zunanji Ø cevi d2 (mm) | Zunanji Ø cevi d2 | B (mm) | e1 (mm) | H (mm) | L (mm) | S1 (mm) |
|---------------|------------------|---------------------------|-------------------|-----------|------------|-----------|-----------|------------|
| SRS 3006 PP | 1 | 6,0 | - | 30 | 33 | 32 | 56 | 2 |
| SRS 3008 PP | 1 | 8,0 | 5/16" | 30 | 33 | 32 | 56 | 2 |
| SRS 3010 PP | 1 | 10,0 | - | 30 | 33 | 32 | 56 | 2 |
| SRS 3012 PP | 1 | 12,0 | - | 30 | 33 | 32 | 56 | 2 |
| SRS 3012.7 PP | 1 | 12,7 | 1/2" | 30 | 33 | 32 | 56 | 2 |
| SRS 3013.5 PP | 1 | 13,5 | - | 30 | 33 | 32 | 56 | 2 |
| SRS 3014 PP | 1 | 14,0 | - | 30 | 33 | 32 | 56 | 2 |
| SRS 3015 PP | 1 | 15,0 | - | 30 | 33 | 32 | 56 | 2 |
| SRS 3016 PP | 1 | 16,0 | 5/8" | 30 | 33 | 32 | 56 | 2 |
| SRS 3017.2 PP | 1 | 17,2 | - | 30 | 33 | 32 | 56 | 2 |
| SRS 3018 PP | 1 | 18,0 | - | 30 | 33 | 32 | 56 | 2 |
| SRS 4019 PP | 2 | 19,0 | 3/4" | 30 | 45 | 48 | 71 | 2 |
| SRS 4020 PP | 2 | 20,0 | - | 30 | 45 | 48 | 71 | 2 |
| SRS 4021.3 PP | 2 | 21,3 | - | 30 | 45 | 48 | 71 | 2 |
| SRS 4022 PP | 2 | 22,0 | - | 30 | 45 | 48 | 71 | 2 |
| SRS 4023 PP | 2 | 23,0 | - | 30 | 45 | 48 | 71 | 2 |
| SRS 4025 PP | 2 | 25,0 | 1" | 30 | 45 | 48 | 71 | 2 |
| SRS 4026.9 PP | 2 | 26,9 | - | 30 | 45 | 48 | 71 | 2 |
| SRS 4028 PP | 2 | 28,0 | - | 30 | 45 | 48 | 71 | 2 |
| SRS 4030 PP | 2 | 30,0 | - | 30 | 45 | 48 | 71 | 2 |
| SRS 5030 PP | 3 | 30,0 | - | 30 | 60 | 60 | 86 | 2 |
| SRS 5032 PP | 3 | 32,0 | 1.1/4" | 30 | 60 | 60 | 86 | 2 |
| SRS 5033.7 PP | 3 | 33,7 | - | 30 | 60 | 60 | 86 | 2 |
| SRS 5035 PP | 3 | 35,0 | - | 30 | 60 | 60 | 86 | 2 |
| SRS 5038 PP | 3 | 38,0 | 1.1/2" | 30 | 60 | 60 | 86 | 2 |
| SRS 5040 PP | 3 | 40,0 | - | 30 | 60 | 60 | 86 | 2 |
| SRS 5042 PP | 3 | 42,0 | - | 30 | 60 | 60 | 86 | 2 |
| SRS 6038 PP | 4 | 38,0 | 1.1/2" | 45 | 90 | 90 | 117 | 3 |
| SRS 6040 PP | 4 | 40,0 | - | 45 | 90 | 90 | 117 | 3 |
| SRS 6042 PP | 4 | 42,0 | - | 45 | 90 | 90 | 117 | 3 |
| SRS 6045 PP | 4 | 45,0 | - | 45 | 90 | 90 | 117 | 3 |
| SRS 6048.3 PP | 4 | 48,3 | - | 45 | 90 | 90 | 117 | 3 |
| SRS 6050 PP | 4 | 50,0 | - | 45 | 90 | 90 | 117 | 3 |
| SRS 6051 PP | 4 | 51,0 | 2" | 45 | 90 | 90 | 117 | 3 |
| SRS 6052 PP | 4 | 52,0 | - | 45 | 90 | 90 | 117 | 3 |
| SRS 6055 PP | 4 | 55,0 | - | 45 | 90 | 90 | 117 | 3 |



Kljub skrbnemu preverjanju napak ne moremo izključiti in za informacije, ki so tu navedene, ne prevzemamo nobene odgovornosti.

30.06.2026

HANSA-FLEX AG

www.hansa-flex.com

1

SRS 30-100 PP

Cevna objemka, težka izvedba

HANSA FLEX

Artikel

| Opis | Velikost objemke | Zunanji Ø cevi d2 (mm) | Zunanji Ø cevi d2 | B (mm) | e1 (mm) | H (mm) | L (mm) | S1 (mm) |
|----------------|------------------|---------------------------|-------------------|-----------|------------|-----------|-----------|------------|
| SRS 6057 PP | 4 | 57,0 | 2.1/4" | 45 | 90 | 90 | 117 | 3 |
| SRS 6060.3 PP | 4 | 60,3 | - | 45 | 90 | 90 | 117 | 3 |
| SRS 6063 PP | 4 | 63,0 | 2.1/2" | 45 | 90 | 90 | 117 | 3 |
| SRS 6065 PP | 4 | 65,0 | - | 45 | 90 | 90 | 117 | 3 |
| SRS 6070 PP | 4 | 70,0 | - | 45 | 90 | 90 | 117 | 3 |
| SRS 7070 PP | 5 | 70,0 | - | 60 | 122 | 120 | 154 | 5 |
| SRS 7073 PP | 5 | 73,0 | - | 60 | 122 | 120 | 154 | 5 |
| SRS 7075 PP | 5 | 75,0 | - | 60 | 122 | 120 | 154 | 5 |
| SRS 7076.1 PP | 5 | 76,1 | 3" | 60 | 122 | 120 | 154 | 5 |
| SRS 7080 PP | 5 | 80,0 | - | 60 | 122 | 120 | 154 | 5 |
| SRS 7082.5 PP | 5 | 82,5 | 3.1/4" | 60 | 122 | 120 | 154 | 5 |
| SRS 7088.9 PP | 5 | 88,9 | 3.1/2" | 60 | 122 | 120 | 154 | 5 |
| SRS 7090 PP | 5 | 90,0 | - | 60 | 122 | 120 | 154 | 5 |
| SRS 8090 PP | 6 | 90,0 | - | 80 | 168 | 170 | 205 | 6 |
| SRS 8097 PP | 6 | 97,0 | - | 80 | 168 | 170 | 205 | 6 |
| SRS 8100 PP | 6 | 100,0 | - | 80 | 168 | 170 | 205 | 6 |
| SRS 8101.6 PP | 6 | 101,6 | 4" | 80 | 168 | 170 | 205 | 6 |
| SRS 8108 PP | 6 | 108,0 | 4.1/4" | 80 | 168 | 170 | 205 | 6 |
| SRS 8114.3 PP | 6 | 114,3 | 4.1/2" | 80 | 168 | 170 | 205 | 6 |
| SRS 8127 PP | 6 | 127,0 | 5" | 80 | 168 | 170 | 205 | 6 |
| SRS 9127 PP | 7 | 127,0 | 5" | 90 | 205 | 200 | 250 | 6 |
| SRS 9133 PP | 7 | 133,0 | 5.1/4" | 90 | 205 | 200 | 250 | 6 |
| SRS 9140 PP | 7 | 140,0 | 5.1/2" | 90 | 205 | 200 | 250 | 6 |
| SRS 9150 PP | 7 | 150,0 | - | 90 | 205 | 200 | 250 | 6 |
| SRS 9152.4 PP | 7 | 152,4 | 6" | 90 | 205 | 200 | 250 | 6 |
| SRS 9159 PP | 7 | 159,0 | 6.1/4" | 90 | 205 | 200 | 250 | 6 |
| SRS 9165.1 PP | 7 | 165,1 | 6.1/2" | 90 | 205 | 200 | 250 | 6 |
| SRS 9168.3 PP | 7 | 168,3 | 6.5/8" | 90 | 205 | 200 | 250 | 6 |
| SRS 10168.3 PP | 8 | 168,3 | 6.5/8" | 120 | 265 | 270 | 320 | 6 |
| SRS 10177.8 PP | 8 | 177,8 | 7" | 120 | 265 | 270 | 320 | 6 |
| SRS 10193.7 PP | 8 | 193,7 | 7.5/8" | 120 | 265 | 270 | 320 | 6 |
| SRS 10203 PP | 8 | 203,0 | - | 120 | 265 | 270 | 320 | 6 |
| SRS 10219.1 PP | 8 | 219,1 | 8.5/8" | 120 | 265 | 270 | 320 | 6 |
| SRS 10220 PP | 8 | 220,0 | - | 120 | 265 | 270 | 320 | 6 |

Variante izdelka

| | |
|-----------------|--|
| SRS 30-100 AL | Cevna objemka, težka izvedba, notranja stran objemke z rebri |
| SRS 30-100 PA | Cevna objemka, težka izvedba, notranja stran objemke z rebri |
| SRS 30-100 PP G | Cevna objemka, težka izvedba, notranja stran objemke gladka |
| SRS 30-100 VG | Cevna objemka, težka izvedba, notranja stran objemke z rebri |

Je dodatni del za naslednje izdelke

| | |
|-----|--------------------------------|
| C D | Sestava skupine C dvojno |
| C A | Sestava skupine C izgradnja |
| C | Sestava skupine C |