

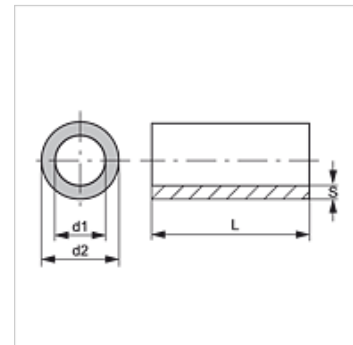
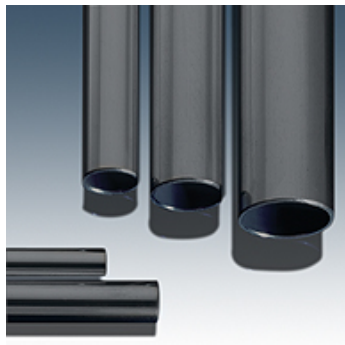
PR ST52 (M)

Hydraulic tube, metric, ST52

Lastnosti

Način izdelave cev iz preciznega jekla

Material: jeklo ST 52



Artikel

Opis	Ø d2 (mm)	Ø d1 (mm)	S (mm)
PR 65-8 ST52	65,0	49,0	8,00
PR 60-7 ST52	60,0	56,0	7,00

L = Pipe length approx. 6 metres