

WA VBF

priključek ... VBF, temprana litina

HANSA FLEX

Lastnosti

Območje uporabe Priključna armatura za kovinske cevi

Priključek 1 cilindrični colski notranji navoj

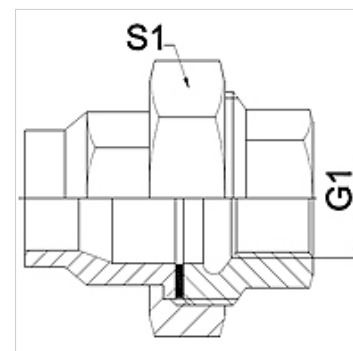
Oblika tesnila 1 ploščato tesnenje

Standard DIN EN 10226 / ISO 7-1

Oblika izdelave ravno

Uporaba lotana izvedba, obstojna do 200 °C

Material: temprana litina



Navodilo

Navedene so orientacijske vrednosti!

The specified working pressure PN(bar) relates to the working temperature of -20 °C to 120 °C. At working temperature of 120 °C to 200 °C the working pressure PN (bar) reduces to 22,7 bar.

Navodila za naročanje

Druge izvedbe na zahtevo

Artikel

| Opis | DN | PN (bar) | G1 | S1 (mm) |
|------------|----|----------|-----------|------------|
| WA 006 VBF | 6 | 25 | Rp 1/4" | 28,0 |
| WA 010 VBF | 10 | 25 | Rp 3/8" | 32,0 |
| WA 013 VBF | 13 | 25 | Rp 1/2" | 39,0 |
| WA 020 VBF | 20 | 25 | Rp 3/4" | 48,0 |
| WA 025 VBF | 25 | 25 | Rp 1" | 55,0 |
| WA 032 VBF | 32 | 25 | Rp 1.1/4" | 67,0 |
| WA 040 VBF | 40 | 25 | Rp 1.1/2" | 74,0 |
| WA 050 VBF | 50 | 25 | Rp 2" | 90,0 |
| WA 065 VBF | 65 | 25 | Rp 2.1/2" | 111,0 |
| WA 080 VBF | 80 | 25 | Rp 3" | 130,0 |

Variante izdelka

WA VBF RG priključek ... VBF, rdeča litina, Rdeča litina

WA VBF VA priključek ... VBF, VA, nerjavno jeklo