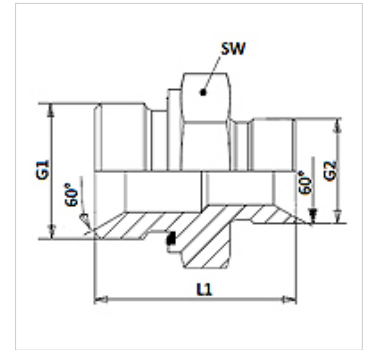


GE HRED HB

Uvojni cevni nastavek

Lastnosti

| | |
|------------------|-------------------------------|
| Priključek 1 | zunANJI navoj cilindrični BSP |
| Oblika tesnila 1 | izvedba E |
| Priključek 2 | zunANJI navoj cilindrični BSP |
| Oblika tesnila 2 | 60° notranji konus |
| Način izdelave | uvojni cevni nastavek |
| Oblika izdelave | ravno |
| Material: | jeklo |
| Zaščita površine | galvanično prevlečeno |



Navodilo

Možnost uporabe kot sredstvo za vijachenje z ED in povezovanje z notranjim konusom 60°

Artikel

| Opis | G1 | G2 | L1 (mm) | SW (mm) |
|------------------|--------------|--------------|------------|------------|
| GE HRED 02 HB | G 1/8" -28 | G 1/8" -28 | 24,0 | 14 |
| GE HRED 04 HB 02 | G 1/4" -19 | G 1/8" -28 | 28,5 | 19 |
| GE HRED 04 HB | G 1/4" -19 | G 1/4" -19 | 33,0 | 19 |
| GE HRED 04 HB 06 | G 1/4" -19 | G 3/8" -19 | 34,5 | 19 |
| GE HRED 06 HB 04 | G 3/8" -19 | G 1/4" -19 | 33,5 | 22 |
| GE HRED 06 HB | G 3/8" -19 | G 3/8" -19 | 35,0 | 22 |
| GE HRED 06 HB 08 | G 3/8" -19 | G 1/2" -14 | 38,5 | 22 |
| GE HRED 08 HB 06 | G 1/2" -14 | G 3/8" -19 | 37,5 | 27 |
| GE HRED 08 HB | G 1/2" -14 | G 1/2" -14 | 41,0 | 27 |
| GE HRED 08 HB 10 | G 1/2" -14 | G 5/8" -14 | 43,0 | 27 |
| GE HRED 08 HB 12 | G 1/2" -14 | G 3/4" -14 | 45,0 | 32 |
| GE HRED 12 HB 08 | G 3/4" -14 | G 1/2" -14 | 43,0 | 32 |
| GE HRED 12 HB | G 3/4" -14 | G 3/4" -14 | 47,0 | 32 |
| GE HRED 12 HB 16 | G 3/4" -14 | G 1" -11 | 51,0 | 32 |
| GE HRED 16 HB 12 | G 1" -11 | G 3/4" -14 | 49,0 | 41 |
| GE HRED 16 HB | G 1" -11 | G 1" -11 | 53,0 | 41 |
| GE HRED 20 HB 16 | G 1,1/4" -11 | G 1" -11 | 55,0 | 50 |
| GE HRED 20 HB | G 1,1/4" -11 | G 1,1/4" -11 | 58,0 | 50 |
| GE HRED 24 HB | G 1,1/2" -11 | G 1,1/2" -11 | 64,0 | 55 |

SW = ključna širina

Nadomestni deli

WD Mehko tesnilo za vijачne spoje ED