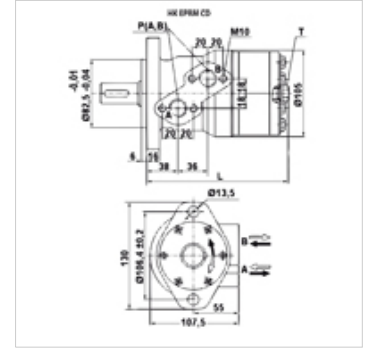


Lastnosti

| | |
|---|---|
| Priključek | Oljni priključki: A + B = G 1/2"; iztok olja zadaj = G 1/4" |
| Izvedba | standardna različica tip "CD" z visokotlačnim tesnilom two hole flange bolt circle 106.4 Gred Ø 25mm |
| Vhodni in povratni tlak z vodom za puščajoče olje max. | 175 bar |



Artikel

| Opis | pretok max. (L/min) | Iztisni- na (cc) | Število bratov min. (rpm) | Število bratov max. (rpm) | vrtilni navor max. (N-m) | Padec tlaka max. (bar) | Pmax. at 0-100 rpm (bar) | Pmax. at 100-300 rpm (bar) | Pmax. at 300-600 rpm (bar) | Pmax. at 600 rpm (bar) | L (mm) | Teža (kg) |
|----------------|------------------------|------------------------|------------------------------------|------------------------------------|-----------------------------------|---------------------------------|-----------------------------------|-------------------------------------|-------------------------------------|------------------------------|-----------|--------------|
| HK EPRM 050 CD | 40 | 51,5 | 10 | 775 | 100 | 140 | 150 | 75 | 50 | 20 | 138 | 6,8 |
| HK EPRM 080 CD | 60 | 80,3 | 10 | 750 | 195 | 175 | 150 | 75 | 50 | 20 | 143 | 6,9 |
| HK EPRM 100 CD | 60 | 99,8 | 10 | 600 | 240 | 175 | 150 | 75 | 50 | - | 147 | 7,2 |
| HK EPRM 125 CD | 60 | 125,7 | 10 | 475 | 300 | 175 | 150 | 75 | 50 | - | 151 | 7,3 |
| HK EPRM 160 CD | 60 | 159,6 | 10 | 375 | 390 | 175 | 150 | 75 | 50 | - | 157 | 7,5 |
| HK EPRM 200 CD | 60 | 199,8 | 10 | 300 | 385 | 140 | 150 | 75 | - | - | 164 | 8,0 |
| HK EPRM 250 CD | 60 | 250,1 | 10 | 240 | 390 | 110 | 150 | 75 | - | - | 173 | 8,4 |
| HK EPRM 315 CD | 60 | 315,7 | 10 | 190 | 390 | 90 | 150 | 75 | - | - | 184 | 9,1 |
| HK EPRM 400 CD | 60 | 397,0 | 10 | 150 | 380 | 70 | 150 | 75 | - | - | 198 | 9,8 |

max. pressure on shaft seal (without leak oil line) or pressure in leak oil line – vrednosti navora in padca tlaka veljajo za neprekinjeno delovanje – pmax. = maks. tlak

Pribor

HK V0 590 šok. ventil

Nadomestni deli

HK EP DS tesnilni komplet za hidravlični planetni motor