

SAE O-RING V

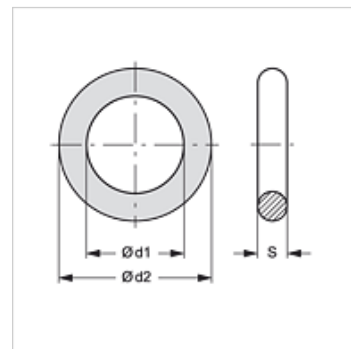
tesnilni obroč SAE FKM

Lastnosti

Temperatura min. -15 °C

Temperatura max. 200 °C

Material: FKM SH 90 (Viton)



Artikel

Opis	velikost prirobnice	Ø d1 (mm)	S (mm)
SAE O-RING 1/2 V	1/2"	18,64	3,53
SAE O-RING 3/4 V	3/4"	24,99	3,53
SAE O-RING 1 V	1"	32,92	3,53
SAE O-RING 1 1/4 V	1.1/4"	37,69	3,53
SAE O-RING 1 1/2 V	1.1/2"	47,22	3,53
SAE O-RING 2 V	2"	56,74	3,53
SAE O-RING 2 1/2 V	2.1/2"	69,44	3,53
SAE O-RING 3 V	3"	85,32	3,53
SAE O-RING 3 1/2 V	3.1/2"	98,02	3,53
SAE O-RING 4 V	4"	110,72	3,53

Variante izdelka

SAE O-RING SAE-O-tesnilo, NBR SH 90