

# FI ND E AR

filtrirni element za nizekotlačni filter AR

**HANSA FLEX**

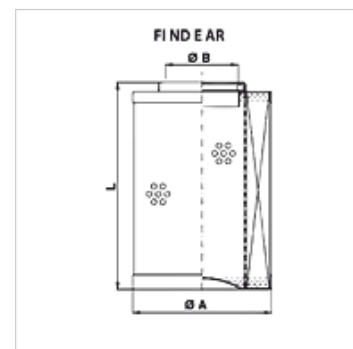
## Lastnosti

Temperatura min. -25 °C

Temperatura max. 120 °C

Material: Tesnilo: NBR

Obratovalni tlak maks. 10 bar



## Artikel

| Opis                | Filtrska enota (µm) | Površina filtra (cm <sup>2</sup> ) | Filter material | L (mm) | Ø A (mm) | Ø B (mm) | Teža (kg) |
|---------------------|---------------------|------------------------------------|-----------------|--------|----------|----------|-----------|
| FI ND E AR 0039 P10 | 10,0                | 620                                | organic         | 104,0  | 45,5     | 20,5     | 0,10      |
| FI ND E AR 165 A25  | 25,0                | 6295                               | anorgansko      | 165,0  | 118,0    | 59,5     | 0,60      |

Q<sub>max</sub> - maks. volumnski pretok