

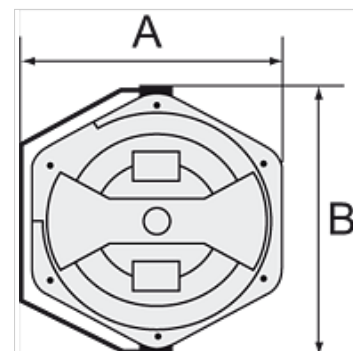
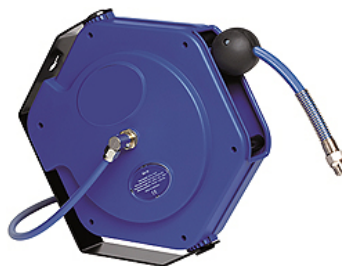
K-SCHL-AUFROLLER LUFT

Hose reels for compressed air

HANSA FLEX

Lastnosti

| | |
|---------------------|--|
| Material cevi | Braided polyurethane |
| Obratovalni tlak | Max. 16 bar; 13.5 x 9.5 mm hose: max. 12 bar |
| delovna temperatura | -20 °C to +60 °C |
| kot zasuka | 300° |



Navodilo

Drugi podatki na zahtevo.

Opis

For easy mounting on the wall or ceiling. Closed, rugged, impact-resistant housing made of POM, supply/outlet R 1/4 male thread and lightweight, hard-wearing, oil-resistant polyurethane hose. Incl. 2 m feeder hose (not Art. K-07100618).

Dodatne informacije

Housing of K-07100621, K-07100620 and K-07100618 identical to K-07100614

Artikel

| Opis | mera cevi | A (mm) | B (mm) | dolžina cevi (m) |
|----------------|------------------|-----------|-----------|---------------------|
| K- 07 10 06 18 | 12 mm x 8 mm | 394,5 | 436,0 | 7 |
| K- 07 10 06 19 | 12 mm x 8 mm | 361,0 | 390,0 | 10 |
| K- 07 10 06 20 | 12 mm x 8 mm | 394,5 | 436,0 | 16 |
| K- 07 10 06 21 | 13,5 mm x 9,5 mm | 394,5 | 436,0 | 14 |