

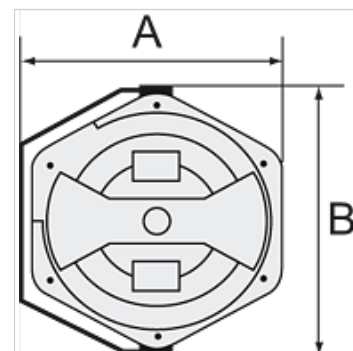
K-SCHL-AUFROLLER LUFT H

Hose reels for compressed air, high flow capacity

HANSA FLEX

Lastnosti

Material cevi	Braided polyurethane
Obratovalni tlak	maks. 12 bar
delovna temperatura	-20 °C to +60 °C
kot zasuka	300°



Navodilo

Drugi podatki na zahtevo.

Opis

Specially designed to ensure a high flow capacity. Easy mounting on the wall or ceiling. Closed, rugged, impact-resistant housing made of POM, supply/outlet R 1/4 male thread and lightweight, hard-wearing, oil-resistant polyurethane hose. Incl. 2 m feeder hose.

Artikel

Opis	mera cevi	A (mm)	B (mm)	dolžina cevi (m)
K- 07 10 06 14	16 mm x 11 mm	394,5	436,0	10