

K-HAND-SCHIEBEVENTIL

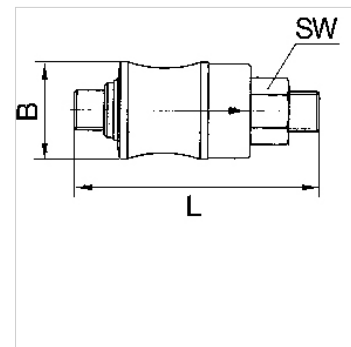
Manual slide valves

HANSA FLEX

Lastnosti

Obratovalni tlak maks. 10 bar

delovna temperatura max. +70 °C



Navodilo

Drugi podatki na zahtevo.

Opis

For use on devices that have to be vented whenever they are turned off, either because of safety regulations or for technical reasons. The pneumatic devices are disconnected from the system and simultaneously vented each time they are shut off.

Artikel

Opis	Navoj	B (mm)	L (mm)	SW (mm)
K- 07 30 15 92	G 1/8	21,0	67,0	14
K- 07 30 15 93	G 1/4	24,0	77,0	17
K- 07 30 15 94	G 3/8	31,0	87,0	22
K- 07 30 15 95	G 1/2	35,0	104,0	26