

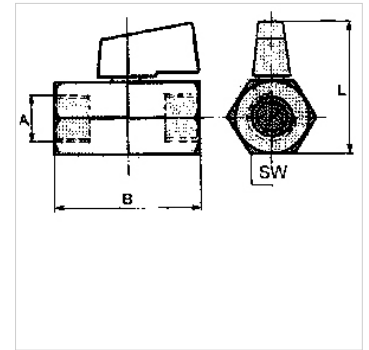
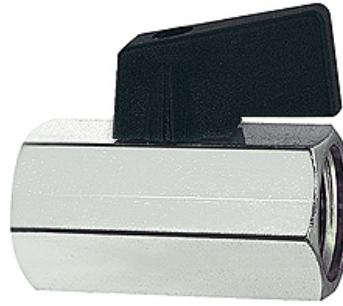
K-BKR MINI GLATTE OBERFLAECHE

Mini ball valves

HANSA FLEX

Lastnosti

| | |
|-------------------------------|--|
| Območje uporabe | Compressed air, water, oils, non-toxic gases |
| Obratovalni tlak | maks. 10 bar |
| temperatura medija | -10 °C to +80 °C |
| ohišje in krogla | Nickel-plated brass |
| ročica, vrtljivi ročaj | Plastic |
| tesnilo krogle | PTFE |
| tesnilo vretena | NBR |



Navodilo

Drugi podatki na zahtevo.

Artikel

| Opis | Navoj | B (mm) | L (mm) | SW (mm) |
|----------------|---------------------|-----------|-----------|------------|
| K- 07 30 20 86 | G 1/8 female | 39,0 | 38,0 | 20 |
| K- 07 30 20 87 | G 1/4 female | 39,0 | 38,0 | 20 |
| K- 07 30 20 88 | G 3/8 female | 42,0 | 38,0 | 20 |
| K- 07 30 20 89 | G 1/2 female | 47,0 | 38,0 | 24 |
| K- 07 30 20 82 | G 1/8 female/male | 39,0 | 38,0 | 20 |
| K- 07 30 20 83 | G 1/4 female/male | 39,0 | 38,0 | 20 |
| K- 07 30 20 84 | G 3/8 female / male | 40,0 | 38,0 | 20 |
| K- 07 30 20 85 | G 1/2 female/male | 45,0 | 38,0 | 24 |