

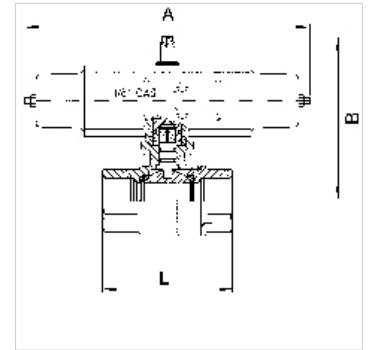
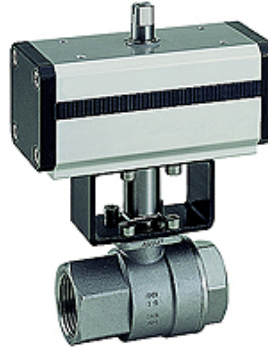
K-BKR DOP VA

Stainless steel ball valves, double-acting actuator

HANSA FLEX

Lastnosti

Način izdelave	Pneumatic, double-piston, part-turn actuator, double-rocker principle
Obratovalni tlak	max. 160 bar (G 3/8, G 1/2); max. 100 bar (G 3/4, G 1); max. 60 bar (G 1 1/4, G 1 1/2); max. 40 bar (G 2)
delovna temperatura	-20 °C to +150 °C
kot zasuka	90 °
krmilni tlak	5.6 bar
ventilski adapter	Supplied as standard
območje temperatur:	-20 °C to +80 °C
pogon	aluminium eloxed
tesnilo pogona	NBR
krogelna pipa	Stainless steel 1.4401/1.4301/1.4310/1.4408, with ISO-flange plate
tesnilo krogelne pipe	PTFE/FKM



Navodilo

Drugi podatki na zahtevo.

Artikel

Opis	DN	Navoj	A (mm)	B (mm)	L (mm)
K- 07 30 02 52	10	Rp 3/8	114,0	134,0	51,0
K- 07 30 02 53	15	Rp 1/2	114,0	139,0	61,0
K- 07 30 02 54	20	Rp 3/4	130,0	153,0	70,0
K- 07 30 02 55	25	Rp 1	130,0	157,0	85,0
K- 07 30 02 56	32	Rp 1 1/4	144,0	171,0	95,0
K- 07 30 02 57	40	Rp 1 1/2	152,0	181,0	105,0
K- 07 30 02 58	50	Rp 2	169,0	196,0	125,0