

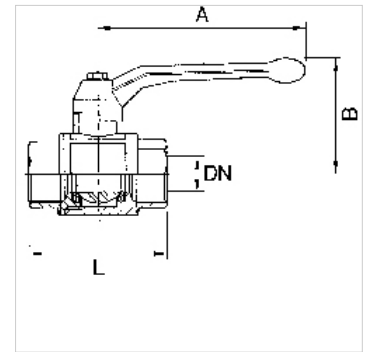
# K-BKR IG IG

Brass ball valves, female/female thread

**HANSA FLEX**

## Lastnosti

delovni tlak	Max. 25 bar
Obratovalni tlak	Max. 28 bar
delovna temperatura	-20 oC to +100 oC
opis navoja	G thread acc. DIN EN ISO 228-1
ohišje	Nickel-plated brass
vzvod	Steel Q235-A (1.0038) with blue PVC coating
krogla	Nickel-plated brass
tesnilo krogle	PTFE
tesnilo vretena	NBR



## Navodilo

Drugi podatki na zahtevo.

## Artikel

Opis	DN	Navoj	A (mm)	B (mm)	L (mm)
K- 07 30 21 61	8	1/4	75,0	38,0	40,0
K- 07 30 21 62	10	3/8	75,0	38,0	40,0
K- 07 30 21 63	15	1/2	96,0	45,0	50,0
K- 07 30 21 64	19	3/4	98,0	45,0	55,0
K- 07 30 21 65	25	1	118,0	55,0	63,0
K- 07 30 21 66	31	1 1/4	118,0	58,0	73,0
K- 07 30 21 67	37	1 1/2	138,0	73,0	83,0
K- 07 30 21 68	45	2	160,0	82,0	99,0