

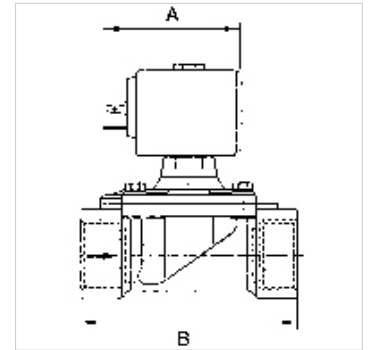
K-MV G Z 24 V DC

Normally closed, combined operation, 24 V DC (direct current)

HANSA FLEX

Lastnosti

Električni priključek	For connector socket Pg 9/Pg 11, acc. to ISO 4400
razred zaščite	IP65 (with connector socket fitted)
temperatura medija	-10 °C to +90 °C (NBR); -10 °C bis +140 °C (FKM)
ohišje, sedež ventila	Brass
notranji deli	Stainless steel
tesnilo	Perbunan (NBR) or FKM



Navodilo

Drugi podatki na zahtevo.

Opis

Economy series available in three different versions: Directly operated, Combined operation, Pilot-operated. For all applications with compressed air, neutral gases or low-viscosity, neutral media.

Artikel

Opis	Navoj	najv. obratovalni tlak (bar)	nazivni premer	tesnilni material	A (mm)	B (mm)	izvedba
K- 07 30 23 55	G 3/8	14	11,0	NBR/PA	67,0	56,0	8
K- 07 30 23 56	G 1/2	14	16,0	NBR/PA	67,0	70,0	8
K- 07 30 23 57	G 3/4	14	16,0	NBR/PA	67,0	70,0	8
K- 07 30 23 58	G 1	6	25,0	NBR/PA	67,0	104,0	8