

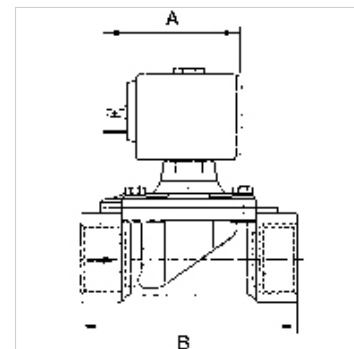
K-MV O V 230 V, 50 - 60 HZ 1

Normally open, pilot-operated, 230 V, 50 to 60 Hz

HANSA FLEX

Lastnosti

Električni priključek	For connector socket Pg 9/Pg 11, acc. to ISO 4400
razred zaščite	IP65 (with connector socket fitted)
temperatura medija	-10 °C to +90 °C (NBR); -10 °C bis +140 °C (FKM)
ohišje, sedež ventila	Brass
notranji deli	Stainless steel
tesnilo	Perbunan (NBR) or FKM



Navodilo

Drugi podatki na zahtevo.

Opis

Economy series available in three different versions: Directly operated, Combined operation, Pilot-operated. For all applications with compressed air, neutral gases or low-viscosity, neutral media.

Artikel

Opis	Navoj	najv. obratovalni tlak (bar)	min. delovni tlak (bar)	nazivni premer	tesnilni material	A (mm)	B (mm)	izvedba
K- 07 30 23 70	G 3/8	16	0,20	13,0	NBR	54,0	60,0	4
K- 07 30 23 71	G 1/2	16	0,20	13,0	NBR	54,0	66,0	4
K- 07 30 23 72	G 3/4	16	0,20	19,0	NBR	54,0	104,0	6
K- 07 30 23 73	G 1	16	0,20	25,0	NBR	54,0	104,0	6
K- 07 30 23 74	G 1 1/4	10	0,20	35,0	NBR	54,0	144,0	6
K- 07 30 23 75	G 1 1/2	10	0,20	40,0	NBR	54,0	144,0	6
K- 07 30 23 76	G 2	10	0,20	50,0	NBR	54,0	172,0	6