

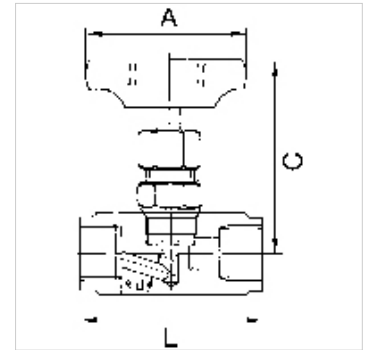
# K-NADELVENTILE VA

Needle valves

**HANSA FLEX**

## Lastnosti

Obratovalni tlak	max. 400 bar (at 20 °C); max. 250 bar (at G 1 - 20 °C)
delovna temperatura	-20 °C to +120 °C
tesnilni material	PTFE
ohišje	Stainless steel 1.4571
ročno kolo	Plastic
Material:	sealing: PTFE



## Navodilo

G thread acc. to DIN EN ISO 228-1, with ISO flange plate (acc. to ISO 5211)

Drugi podatki na zahtevo.

## Navodila za naročanje

For use on devices that have to be vented whenever they are turned off, either because of safety regulations or for technical reasons. The pneumatic devices are disconnected from the system and simultaneously vented each time they are shut off.

## Dodatne informacije

Port sizes G 1 1/4, G 1 1/2 and G 2 available on request

## Artikel

Opis	DN	Navoj	A (mm)	C (mm)	L (mm)
K- 07 30 24 03	4	G 1/8	50,0	74,0	50,0
K- 07 30 24 04	5	G 1/4	50,0	73,0	50,0
K- 07 30 24 05	6	G 3/8	50,0	72,0	55,0
K- 07 30 24 06	8	G 1/2	63,0	83,0	60,0
K- 07 30 24 07	10	G 3/4	63,0	100,0	75,0
K- 07 30 24 08	12	G 1	80,0	110,0	100,0