

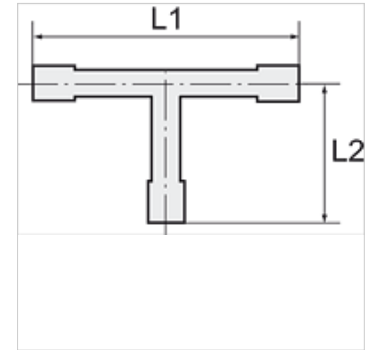
# K-T-EINSCHR STUTZEN

Male stud tees, polyamide, conical male thread acc. to ISO 7-1

**HANSA FLEX**

## Lastnosti

območje temperatur: -40 °C to +90 °C



## Navodilo

Drugi podatki na zahtevo.

## Opis

Lightweight tube connectors distinguished by high strength, toughness, resistance to abrasion and impact resistance. Resistant to: Acetone, benzene, benzene, butane, alcohols, diesel fuels, crude oil, natural gas, ethanol, fruit juices, glycerine, fuel oil, hydraulic fluids, aliphatic ketones, carbon dioxide, carbonic acid, engine oils, methanol, propane, liquefied gas, lubricating oils, lubricating greases, town gas, washing liquor and water.

## Artikel

Opis	Navoj	za cev	L1 (mm)	L2 (mm)	maks. dopustni nadtlak (bar)	zev ključa
K- 07 40 16 79	R 1/8	LW 4 mm	42,0	18,0	10	10 mm
K- 07 40 16 80	R 1/8	LW 6 mm	57,0	21,0	10	10 mm
K- 07 40 16 81	R 1/4	LW 4 mm	42,0	23,0	10	14 mm
K- 07 40 16 82	R 1/4	LW 6 mm	57,0	26,0	10	14 mm
K- 07 40 16 83	R 1/4	LW 8 mm	66,0	27,5	10	14 mm
K- 07 40 46 53	R 3/8	LW 10 mm	71,0	30,0	10	17 mm