

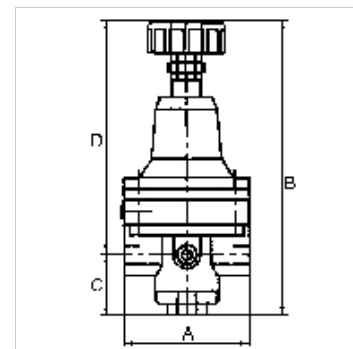
# K-PRAEZI DRUCKREGLER SELU

Precision pressure regulators

**HANSA FLEX**

## Lastnosti

|                         |  |
|-------------------------|--|
| vstopni tlak            | Max. 16 bar  |
| temperatura medija      | max. 60 °C   |
| temperatura okolice     | Max. 60 °C   |
| Sredstva                | Micro-filtered, unoiled compressed air (0.01 µm)             |
| priključek za manometer | G 1/4  |
| odzračevalni priključek | G 3/8 (for mounting a silencer)                              |
| tesnilni material       | NBR  |
| ohišje                  | Die-cast zinc  |
| lastna poraba zraka     | 1.5 - 6 l/min, depending on input pressure and control range |



## Navodilo

The given flow rates are based on the following parameters: 1200 l/min: P1: 5 bar, P2: 3 bar,  $\Delta p \leq 0.1$  bar

1400 l/min: P1: 7 bar, P2: 5 bar,  $\Delta p \leq 0.1$  bar

1500 l/min: P1: 10 bar, P2: 7 bar,  $\Delta p \leq 0.1$  bar. Wear parts kit not supplied! Pressure regulator may only be opened in the factory!

Drugi podatki na zahtevo.

## Opis

With high flow rate and large secondary relief port. Diaphragm pressure regulators with large secondary relief port for applications requiring an extremely accurate working pressure, especially at high flow rates.

## Dodatne informacije

on Art. K-07250721: Max. inlet pressure 300 bar. Other cylinder pressure regulators available on request.

1500 l/min: P1: 10 bar, P2: 7 bar,  $\Delta p \leq 0.1$  bar.

## Artikel

| Opis           | Navoj | regulacijsko območje | pretok (L/min) | A (mm) | C (mm) | D (mm) |
|----------------|-------|----------------------|----------------|--------|--------|--------|
| K- 07 25 09 28 | G 1/4 | 0.05 - 3 bar         | 700            | 82,0   | 43,5   | 159,0  |
| K- 07 25 09 29 | G 1/4 | 0.05 - 7 bar         | 1500           | 82,0   | 43,5   | 159,0  |
| K- 07 25 09 30 | G 3/8 | 0.05 - 3 bar         | 3000           | 82,0   | 43,5   | 159,0  |
| K- 07 25 09 31 | G 3/8 | 0.05 - 7 bar         | 5500           | 82,0   | 43,5   | 159,0  |
| K- 07 25 09 32 | G 1/2 | 0.05 - 3 bar         | 3000           | 82,0   | 43,5   | 159,0  |
| K- 07 25 09 33 | G 1/2 | 0.05 - 5 bar         | 4500           | 82,0   | 43,5   | 159,0  |
| K- 07 25 09 34 | G 1/2 | 0.05 - 7 bar         | 5500           | 82,0   | 43,5   | 159,0  |

## Nadomestni deli

|                          |                                      |
|--------------------------|--------------------------------------|
| K-HALTERBAUSATZ STANDARD | Holder                               |
| K-KM MS                  | Hexagonal lock nuts, brass           |
| K-SCHALLDAEPFER VYON     | Vyon silencers                       |
| K-FILTERELEMENT          | Filter element                       |
| K-XV AGM 2               | Double nipples, parallel male thread |