

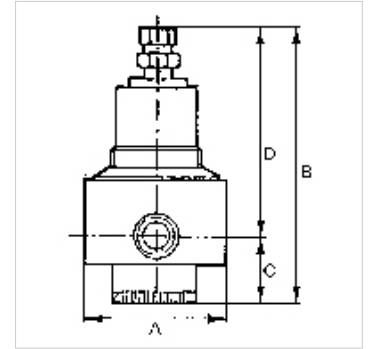
K-DRG FL RUECKSTERERBAR M MANO VA

Non-reversible, stainless steel pressure regulators for liquid media,
stainless steel pressure gauge

HANSA FLEX

Lastnosti

vstopni tlak	Max. 30 bar (Control range 0.5 - 8.0 bar), Max. 50 bar (Control range 1.0 - 15.0 bar)
temperatura medija	max. 80 °C
temperatura okolice	Max. 80 °C
tesnilni material	FKM
membrana	PTFE on NBR base
Material:	stainless steel 1.4404 (AISI 316L)
meritev pretoka	At P1 = 8 bar, P2 = 6 bar and pressure drop $\Delta p \leq 1$ bar



Navodilo

Drugi podatki na zahtevo.

Opis

Stainless steel regulators containing no non-ferrous metals for use in the food processing, chemical, mining, plant construction and special machinery industries as well as in the medical technology.

Navodila za naročanje

NPT thread available on request

Artikel

Opis	Navoj	regulacijsko območje	pretok (L/min)	A (mm)	B	C (mm)	D (mm)
K- 07 25 02 10	G 1/4	0.5 - 8.0 bar	200	65,0	162,0 mm	37,0	125,0
K- 07 25 02 11	G 1/4	1.0 - 15.0 bar	330	65,0	162,0 mm	37,0	125,0
K- 07 25 02 08	G 1/2	0.5 - 8.0 bar	660	80,0	164,0 mm	37,0	127,0
K- 07 25 02 09	G 1/2	1.0 - 15.0 bar	1800	80,0	164,0 mm	37,0	127,0

Nadomestni deli

K-HALTERBAUSATZ EDELSTAHL	Holder
K-MANO	Pressure gauges (CrNi steel type / connection on rear)
K-VERSCHLEI-SATZ	Set of wearing parts