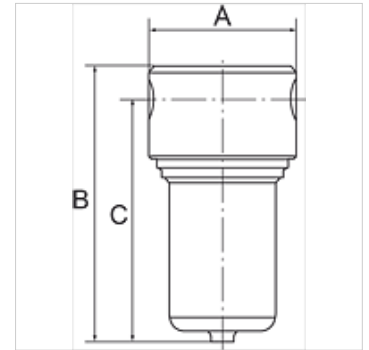


K-FI VA

Filters

Lastnosti

vstopni tlak	Max. 50 bar
temperatura medija	max. 80 °C
temperatura okolice	Max. 80 °C
velikost por v filtrnem elementu	50 µm
tesnilni material	FKM
Material:	stainless steel 1.4404 (AISI 316L)
Drain valve	Locking screw
meritev pretoka	At P1 = 6 bar and pressure drop $\Delta p \leq 0.6$ bar



Navodilo

Drugi podatki na zahtevo.

Opis

Stainless steel filters containing no non-ferrous metals for use in the food processing, chemical, mining, plant construction and special machinery industries as well as in the medical technology.

Navodila za naročanje

Important: This is not a sterile filter! With filter element 5 µm available on request. With manual or fully automatic drain valve on request. With NPT threads available on request.

Artikel

Opis	Navoj	pretok (L/min)	A (mm)	B	C (mm)
K- 07 25 05 59	G 1/4	2500	64,0	139,0 mm	125,0
K- 07 25 05 58	G 1/2	3400	80,0	150,0 mm	130,0

Pribor

K-HALTERBAUSATZ Holder

Nadomestni deli

K-VERSCHLEI-SATZ Set of wearing parts