

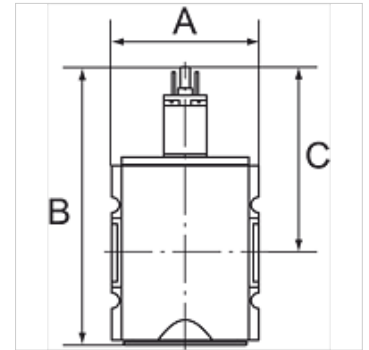
K-WV 3/2 ELK 24 VDC HANSA

3/2-way valves, electrically operated, with 24 VDC / 2.5 W solenoid

HANSA FLEX

Lastnosti

vstopni tlak	2 - 10 bar
območje temperatur:	-10 °C to +50 °C
Sredstva	stisnjen zrak
pritezna moč izmenična napetost 50 Hz	2,2 VA
trajanje vklopa	ED 100 %
Električni priključek	Connector type C, ISO 15217, 2 poles +PE
zadrževalna zmogljivost izmenična napetost 50 Hz	1,6 VA
potrebna moč	2,5 W
razred zaščite	IP 65
priključni navoj	Material: Die-cast zinc
ohišje	Material: Grivory® (PA 66)
meritev pretoka	At P2 = 6 bar, pressure drop $\Delta p = 1$ bar



Navodilo

Drugi podatki na zahtevo.

Opis

Pneumatic systems or parts of systems can be switched on and off by means of an electrical signal. When they are switched off, the system is exhausted at the same time.

Navodila za naročanje

Valves are also available with coil 110 V AC, 50 Hz and in a pneumatically operated version. Please ask for more information.

Artikel

Opis	Navoj	izpust	pretok (L/min)	A (mm)	B	C (mm)
K- 07 25 11 05	G 1/4	1/4	2000	52,0	117,8 mm	84,8
K- 07 25 11 06	G 3/8	1/4	2000	52,0	117,8 mm	84,8
K- 07 25 11 31	G 3/8	1/2	4500	63,0	150,3 mm	93,8
K- 07 25 11 32	G 1/2	1/2	4500	63,0	150,3 mm	93,8
K- 07 25 11 37	G 3/4	1/2	12500	85,0	177,7 mm	110,7
K- 07 25 11 38	G 1	1/2	12500	85,0	177,7 mm	110,7

Pribor

K-SCHALLDAE SINTERBR S	Silencers, sintered bronze, slotted
K-SCHALLDAE SINTERBR GE MS1	Silencers, sintered bronze, with brass hexagon nut and brass thread

Nadomestni deli

K-HALTERBAUSATZ HANSA	Holder HANSA
K-VORSTEUERVENTIL HANSA	Replacement solenoid HANSA
K-GERAETESTECKER FORM C	Connector