

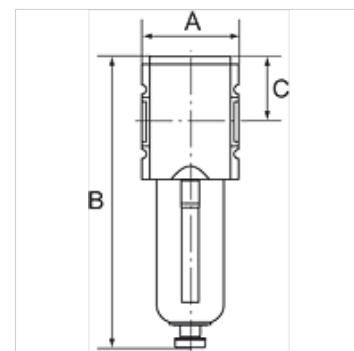
K-FI AK KOH PC-BEHAE SCHUTZK HANSA

Activated carbon filters

HANSA FLEX

Lastnosti

vstopni tlak	0 - 16 bar
območje temperatur:	-10 °C to +50 °C
Sredstva	stisnjen zrak
priključni navoj	Material: Die-cast zinc
posoda	Polycarbonate (with bayonet lock)
filtrirni element	Activated carbon
ohišje	Material: Grivory® (PA 66)
zaščitna košara	Polyamide
preostanek olja	0.005 mg/m ³ , class 0 acc. to DIN ISO 8573-1
meritev pretoka	At P2 = 6 bar and pressure drop $\Delta p = 0.5$ bar



Navodilo

Drugi podatki na zahtevo.

Opis

Activated carbon filters in modern design for compliance with strict compressed air purity requirements. Activated carbon filters are used to absorb oil vapour up to a residual oil content of 0.005 mg/m³ from compressed air and gases.

Artikel

Opis	Navoj	pretok (L/min)	A (mm)	B	C (mm)
K- 07 25 10 41	G 1/4	500	52,0	157,0 mm	34,0
K- 07 25 10 42	G 3/8	500	52,0	157,0 mm	34,0
K- 07 25 10 43	G 3/8	1600	63,0	183,0 mm	42,5
K- 07 25 10 44	G 1/2	1600	63,0	183,0 mm	42,5
K- 07 25 10 23	G 3/4	3000	85,0	240,5 mm	58,0
K- 07 25 10 24	G 1	3000	85,0	240,5 mm	58,0

Nadomestni deli

K-HALTERBAUSATZ HANSA	Holder HANSA
K-ERSATZBEHAELTER HANSA POLY	Spare tank HANSA polycarbonat