

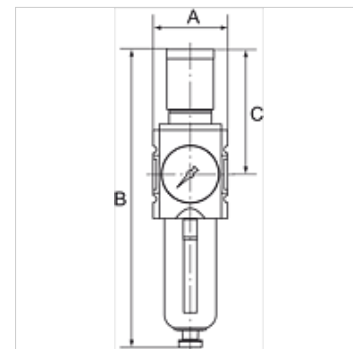
# K-FI REGL PC-BEHÄEL S MANO HANSA

Filter regulators

**HANSA FLEX**

## Lastnosti

vstopni tlak	1.5 - 16 bar
izhodni tlak	0.5 - 8 bar
območje temperatur:	-10 °C to +50 °C
Sredstva	stisnjen zrak
finoča filtra	5,00 µm
priključni navoj	Material: Die-cast zinc
posoda	Polycarbonate (with bayonet lock)
filtrirni element	Cellpor (PE)
ohišje	Material: Grivory® (PA 66)
membrana	NBR
lastna poraba zraka	Max. 1.5 l/min (depending on secondary pressure)
meritev pretoka	At P1 = 10 bar, P2 = 6.3 bar and pressure drop Δp = 1 bar



## Navodilo

Drugi podatki na zahtevo.

## Opis

Filter regulators with excellent flow rates in modern design. The regulator knob can be latched and locked.

## Navodila za naročanje

The price does not include a key lock. Please order separately.

## Artikel

Opis	Navoj	pretok (L/min)	A (mm)	B	C (mm)	Velikost	izpust kondenzata
K- 07 25 06 57	G 1/4	2200	52,0	225,0 mm	95,5	-	Semi
K- 07 25 06 58	G 3/8	2600	52,0	225,0 mm	95,5	-	Semi
K- 07 25 06 59	G 3/8	4300	63,0	257,0 mm	110,0	-	Semi
K- 07 25 06 60	G 1/2	5200	63,0	257,0 mm	110,0	-	Semi
K- 07 25 06 53	G 3/4	14000	85,0	329,0 mm	137,0	-	Semi
K- 07 25 06 54	G 1	14000	85,0	329,0 mm	137,0	-	Semi
K- 07 25 06 61	G 1/4	2200	52,0	243,0 mm	95,5	-	Auto
K- 07 25 06 62	G 3/8	2600	52,0	243,0 mm	95,5	-	Auto
K- 07 25 06 63	G 3/8	4300	63,0	274,0 mm	110,0	-	Auto
K- 07 25 06 64	G 1/2	5200	63,0	274,0 mm	110,0	-	Auto
K- 07 25 06 55	G 3/4	14000	85,0	343,0 mm	137,0	4	Auto
K- 07 25 06 56	G 1	14000	85,0	343,0 mm	137,0	4	Auto

## Pribor

K-STECKSCHLOSS Key lock

## Nadomestni deli

K-HALTERBAUSATZ HANSA	Holder HANSA
K-ERSATZBEHÄELTER HANSA POLY	Spare tank HANSA polycarbonat
K-SCHALTTAFELMUTTER HANSA	Nut HANSA
K-FILTERELEMENT	Filter element
K-DICHTSATZ HANSA	Set of seals HANSA