

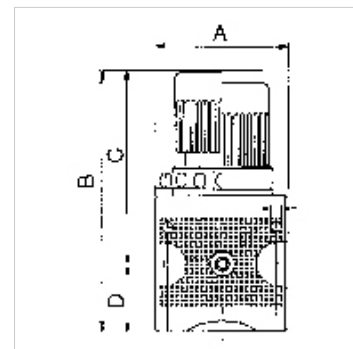
K-DRG MULTIFIX

Pressure regulators

HANSA FLEX

Lastnosti

| | |
|---------------------|----------------------------------------------------------------|
| vstopni tlak | Max. 16 bar |
| temperatura medija | max. 60 °C |
| temperatura okolice | Max. 60 °C |
| tesnilni material | NBR |
| vzmetni pokrov | POM-brass |
| ohišje | Die-cast zinc, Aluminium for G 1 variant |
| meritev pretoka | At P1 = 8 bar, P2 = 6 bar and pressure drop $\Delta p = 1$ bar |



Navodilo

Drugi podatki na zahtevo.

Opis

Reversible diaphragm pressure regulators, independent of inlet pressure, with self-relieving design. The pressure setting can be locked by pushing the button down.

Navodila za naročanje

Lockable pressure regulators K-07250008 and K-07250012. Lockable pressure regulators K-07250016 and K-07250020. Lockable pressure regulator K-07250024. Prices on request.

Artikel

| Opis | Navoj | regulacijsko območje | pretok (L/min) | A (mm) | B | C (mm) | D (mm) | DN | Velikost |
|----------------|-------|----------------------|----------------|--------|----------|--------|--------|----|----------|
| K- 07 25 00 10 | G 1/4 | 0.1 - 3 bar | 1500 | 47,8 | 94,8 mm | 67,0 | 27,8 | 6 | 1 |
| K- 07 25 00 11 | G 1/4 | 0.2 - 6 bar | 1500 | 47,8 | 94,8 mm | 67,0 | 27,8 | 6 | 1 |
| K- 07 25 00 08 | G 1/4 | 0.5 - 10 bar | 1500 | 47,8 | 94,8 mm | 67,0 | 27,8 | 6 | 1 |
| K- 07 25 00 09 | G 1/4 | 0.5 - 16 bar | 1500 | 47,8 | 94,8 mm | 67,0 | 27,8 | 6 | 1 |
| K- 07 25 00 14 | G 3/8 | 0.1 - 3 bar | 1500 | 47,8 | 94,8 mm | 67,0 | 27,8 | 10 | 1 |
| K- 07 25 00 15 | G 3/8 | 0.2 - 6 bar | 1500 | 47,8 | 94,8 mm | 67,0 | 27,8 | 10 | 1 |
| K- 07 25 00 12 | G 3/8 | 0.5 - 10 bar | 1500 | 47,8 | 94,8 mm | 67,0 | 27,8 | 10 | 1 |
| K- 07 25 00 13 | G 3/8 | 0.5 - 16 bar | 1500 | 47,8 | 94,8 mm | 67,0 | 27,8 | 10 | 1 |
| K- 07 25 00 18 | G 1/2 | 0.1 - 3 bar | 6000 | 68,8 | 134,1 mm | 99,0 | 35,1 | 15 | 2 |
| K- 07 25 00 19 | G 1/2 | 0.2 - 6 bar | 6000 | 68,8 | 134,1 mm | 99,0 | 35,1 | 15 | 2 |
| K- 07 25 00 16 | G 1/2 | 0.5 - 10 bar | 6000 | 68,8 | 134,1 mm | 99,0 | 35,1 | 15 | 2 |
| K- 07 25 00 17 | G 1/2 | 0.5 - 16 bar | 6000 | 68,8 | 134,1 mm | 99,0 | 35,1 | 15 | 2 |
| K- 07 25 00 22 | G 3/4 | 0.1 - 3 bar | 6000 | 68,8 | 134,1 mm | 99,0 | 35,1 | 20 | 2 |
| K- 07 25 00 23 | G 3/4 | 0.2 - 6 bar | 6000 | 68,8 | 134,1 mm | 99,0 | 35,1 | 20 | 2 |
| K- 07 25 00 20 | G 3/4 | 0.5 - 10 bar | 6000 | 68,8 | 134,1 mm | 99,0 | 35,1 | 20 | 2 |
| K- 07 25 00 21 | G 3/4 | 0.5 - 16 bar | 6000 | 68,8 | 134,1 mm | 99,0 | 35,1 | 20 | 2 |
| K- 07 25 00 25 | G 1 | 0.1 - 3 bar | 12500 | 100,0 | 179,5 mm | 128,0 | 51,5 | 25 | 3 |
| K- 07 25 00 26 | G 1 | 0.2 - 6 bar | 12500 | 100,0 | 179,5 mm | 128,0 | 51,5 | 25 | 3 |
| K- 07 25 00 24 | G 1 | 0.5 - 10 bar | 12500 | 100,0 | 179,5 mm | 128,0 | 51,5 | 25 | 3 |
| K- 07 25 19 55 | G 1 | 0.5 - 16 bar | 12500 | 100,0 | 179,5 mm | 128,0 | 51,5 | 25 | 3 |

Nadomestni deli

| | |
|--------------------------|----------------------|
| K-HALTERBAUSATZ | Holder |
| K-SCHALTTAFELMUTTER | Nut |
| K-HALTERBAUSATZ MULTIFIX | Holder |
| K-KOPPELPAKET MEHR | Coupling packet |
| K-KOPPELPAKET SCHMA | Coupling packet |
| K-VERSCHLEI-SATZ | Set of wearing parts |