

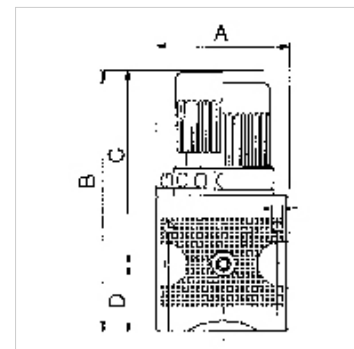
K-PRAEZI DRUCKREGLER MULTIFIX

Precision pressure regulators

HANSA FLEX

Lastnosti

vstopni tlak	Max. 16 bar
temperatura medija	max. 60 °C
temperatura okolice	Max. 60 °C
tesnilni material	NBR
vzmetni pokrov	POM-brass
ohišje	Die-cast zinc
lastna poraba zraka	2.6 l/min, depending on secondary pressure
meritev pretoka	At P1 = 8 bar, P2 = 6 bar and pressure drop $\Delta p = 1$ bar



Navodilo

Drugi podatki na zahtevo.

Opis

Diaphragm pressure regulators, independent of inlet pressure, with self-relieving design and very high flow rate. The pressure setting can be locked by pushing the button down.

Navodila za naročanje

Lockable precision pressure regulators available on request

Artikel

Opis	Navoj	regulacijsko območje	pretok (L/min)	A (mm)	B	C (mm)	D (mm)	DN	Velikost
K- 07 25 00 37	G 1/4	0.1 - 3 bar	1500	47,8	94,8 mm	67,0	27,8	6	1
K- 07 25 00 38	G 1/4	0.2 - 6 bar	1500	47,8	94,8 mm	67,0	27,8	6	1
K- 07 25 00 36	G 1/4	0.5 - 10 bar	1500	47,8	94,8 mm	67,0	27,8	6	1
K- 07 25 00 40	G 1/2	0.1 - 3 bar	6000	68,8	134,1 mm	99,0	35,1	15	2
K- 07 25 00 41	G 1/2	0.2 - 6 bar	6000	68,8	134,1 mm	99,0	35,1	15	2
K- 07 25 00 39	G 1/2	0.5 - 10 bar	6000	68,8	134,1 mm	99,0	35,1	15	2

Nadomestni deli

K-HALTERBAUSATZ	Holder
K-SCHALTTAFELMUTTER	Nut
K-HALTERBAUSATZ MULTIFIX	Holder
K-KOPPELPAKET MEHR	Coupling packet
K-KOPPELPAKET SCHMA	Coupling packet
K-VERSCHLEI-SATZ	Set of wearing parts