

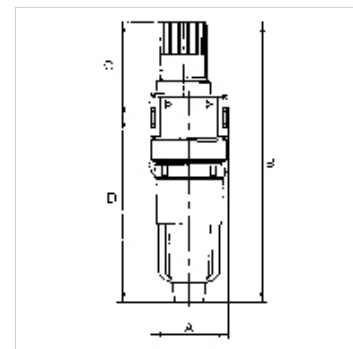
# K-NEBELOELER PC-BEHAEEL MULTIFIX MIN

Oil-mist lubricators with polycarbonate bowl

**HANSA FLEX**

## Lastnosti

<b>vstopni tlak</b>	Max. 16 bar (polycarbonate bowl), Max. 20 bar (metal bowl)
<b>temperatura medija</b>	max. 60 °C
<b>temperatura okolice</b>	Max. 60 °C
<b>pretok</b>	1000 l/min
<b>tesnilni material</b>	NBR
<b>ohišje</b>	Die-cast zinc
<b>kapalni nastavek</b>	PA (polycarbonate bowl), Zinc-glass-NBR (metal bowl)
<b>vrsta olja</b>	CL 32 acc. to DIN 51517 - ISO VG 32
<b>meritev pretoka</b>	At P2 = 6 bar and pressure drop $\Delta p = 1$ bar



## Navodilo

If several devices in the »multifix-mini« Series are assembled together, the maximum working pressure is 12 bar.

Drugi podatki na zahtevo.

## Opis

Micro-lubricators, oil can be filled under pressure.

## Artikel

Opis	Navoj	A (mm)	B	C (mm)	D (mm)	DN	Velikost
K- 07 25 00 87	G 1/8	40,0	145,1 mm	49,6	95,5	5	0
K- 07 25 00 89	G 1/4	40,0	145,1 mm	49,6	95,5	5	0

## Nadomestni deli

K-AUTOMAT ABLASSVENTIL	Automatic drain valve
K-KOPPELPAKET MEHR	Coupling packet
K-ERSATZBEHAELTER MULTI MINI	Spare tank »multifix-mini« & »standard-mini«
K-TROPFAUFSATZ POLYCARBO 1	Drip attachment polycarbonate
K-TROPFAUFSATZ METALL	Drip attachment metal