

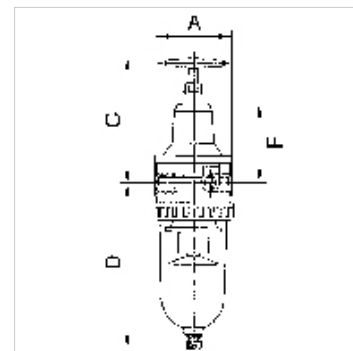
K-FI REGL METALLBEHAE M ABLV STANDA

Filter regulators with metal bowl and manual drain valve

HANSA FLEX

Lastnosti

vstopni tlak	Max. 16 bar (polycarbonate bowl), Max. 25 bar (metal bowl)
regulacijsko območje	0.5 to 10 bar (polycarbonate bowl), 0.5 to 16 bar (metal bowl)
temperatura medija	max. 60 °C
temperatura okolice	Max. 60 °C
velikost por v filtrirnem elementu	5 µm (Size 1 / Size 3), 40 µm (Size 2 / Size 4)
tesnilni material	NBR
ohišje	Die-cast zinc (G1/4 to G1/2), silver painted aluminium (G3/4 to G1), silver painted
meritev pretoka	At P1 = 8 bar, P2 = 6 bar and pressure drop $\Delta p = 1$ bar



Navodilo

Drugi podatki na zahtevo.

Opis

Reversible diaphragm pressure regulators, independent of inlet pressure, with selfrelieving design, combined with a centrifugal separator.

Artikel

Opis	Navoj	pretok (L/min)	A (mm)	C (mm)	D (mm)	DN	F (mm)
K- 07 25 06 69	G 1/4	900	54,0	106,5	133,5	8	62,0
K- 07 25 06 72	G 3/8	900	54,0	106,5	133,5	8	62,0
K- 07 25 06 75	G 3/8	1500	70,0	120,5	161,0	11	76,5
K- 07 25 06 77	G 1/2	3000	82,0	130,0	172,0	14	83,0
K- 07 25 06 80	G 3/4	7000	125,0	190,6	264,0	25	145,0
K- 07 25 06 83	G 1	7000	125,0	190,6	264,0	25	145,0

Nadomestni deli

K-HALTERBAUSATZ STANDARD	Holder
K-SCHUTZKORB G	Protective cage
K-FILTERELEMENT	Filter element
K-VERSCHLEI-SATZ	Set of wearing parts
K-XV AGM MS NI	Double nipples, parallel male thread, nickel-plated brass
K-LOESBARE DOPPELNIPPEL MS	Double nipples
K-ABLASSVENTIL AUTO	Fully-automatic drain valve with Adapter G 1/8
K-AUTOMAT ABLASSVENTIL	Automatic drain valve