

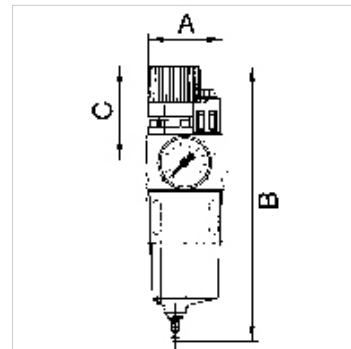
# K-WTEH KOMBI PC-BEHÄLTER S H ABLV

Combination service units with polycarbonate bowl, bowl guard and manual drain valve

**HANSA FLEX**

## Lastnosti

|                                  |  |
|----------------------------------|--|
| vstopni tlak                     | Max. 16 bar (polycarbonate bowl), Max. 25 bar (metal bowl)     |
| temperatura medija               | max. 50 °C   |
| temperatura okolice              | Max. 50 °C   |
| velikost por v filtrnem elementu | 50 µm  |
| tesnilni material                | NBR  |
| ohišje                           | Die-cast zinc, Spring bonnet; PA                               |
| kapalni nastavek                 | PA   |
| meritev pretoka                  | At P1 = 8 bar, P2 = 6 bar and pressure drop $\Delta p = 1$ bar |



## Navodilo

Drugi podatki na zahtevo.

## Opis

A filter, pressure regulator and oil-mist lubricator combined in a single device with an extremely compact design. The pressure setting can be locked by pushing the knob down. Oil can be filled under pressure.

## Artikel

| Opis           | Navoj | regulacijsko območje | pretok (L/min) | A (mm) | B        | C (mm) |
|----------------|-------|----------------------|----------------|--------|----------|--------|
| K- 07 25 08 45 | G 1/4 | 0.5 - 10 bar         | 1400           | 67,0   | 217,0 mm | 68,5   |
| K- 07 25 08 47 | G 1/4 | 0.5 - 16 bar         | 1000           | 67,0   | 217,0 mm | 68,5   |
| K- 07 25 08 49 | G 3/8 | 0.5 - 10 bar         | 1400           | 67,0   | 217,0 mm | 68,5   |
| K- 07 25 08 51 | G 3/8 | 0.5 - 16 bar         | 1000           | 67,0   | 217,0 mm | 68,5   |
| K- 07 25 08 53 | G 1/2 | 0.5 - 10 bar         | 1400           | 65,0   | 217,0 mm | 68,5   |
| K- 07 25 08 55 | G 1/2 | 0.5 - 16 bar         | 1000           | 65,0   | 217,0 mm | 68,5   |
| K- 07 25 08 57 | G 3/4 | 0.5 - 10 bar         | 3400           | 97,0   | 296,5 mm | 96,5   |
| K- 07 25 08 59 | G 3/4 | 0.5 - 16 bar         | 2800           | 97,0   | 296,5 mm | 96,5   |
| K- 07 25 08 61 | G 1   | 0.5 - 10 bar         | 3400           | 93,0   | 296,5 mm | 96,5   |
| K- 07 25 08 63 | G 1   | 0.5 - 16 bar         | 2800           | 93,0   | 296,5 mm | 96,5   |

## Nadomestni deli

|                          |  |
|--------------------------|--|
| K-HALTERBAUSATZ SERIE 81 | Holder for series 81                           |
| K-ERSATZBEHÄLTER KOMBI   | Spare tank                                     |
| K-SCHUTZKORB G           | Protective cage                                |
| K-VERSCHLEI-SATZ         | Set of wearing parts                           |
| K-TROPFAUFSATZ POLYCARBO | Drip attachment polycarbonate                  |
| K-TROPFAUFSATZ METALL    | Drip attachment metal                          |
| K-FILTERELEMENT          | Filter element                                 |
| K-ABLASSVENTIL AUTO      | Fully-automatic drain valve with Adapter G 1/8 |
| K-RD NIPPEL KURZ 1       | Reducing nipples, short type                   |
| K-XV AGM 2               | Double nipples, parallel male thread           |