

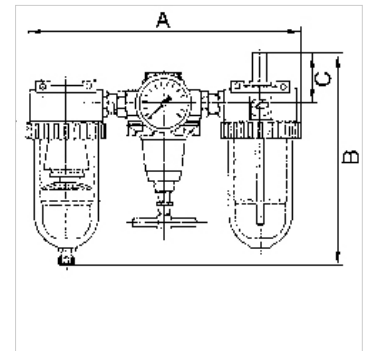
# K-WTEH 3-TLG PC SCHU H ABL STANDARD

Service units with polycarbonate bowl, bowl guard and semi-automatic drain valve

**HANSA FLEX**

## Lastnosti

|                                    |   |
|------------------------------------|---|
| vstopni tlak                       | Max. 16 bar (polycarbonate bowl / bowl guard), Max. 25 bar (metal bowl)       |
| regulacijsko območje               | 0.5 to 10 bar (polycarbonate bowl / bowl guard) 0.5 to 16 bar (metal bowl)    |
| temperatura medija                 | max. 60 °C  |
| temperatura okolice                | Max. 60 °C  |
| velikost por v filtrirnem elementu | 5 µm (G 1/4 / G 3/8 / G 1/2), 40 µm (G 3/8 / G 3/4 / G 1 / G 1 1/4 / G 1 1/2) |
| tesnilni material                  | NBR   |
| ohišje                             | Die-cast zinc / Aluminium, painted silver                                     |
| kapalni nastavek                   | PA (polycarbonate bowl), Zinc-glass-NBR (metal bowl)                          |
| meritev pretoka                    | At P1 = 8 bar, P2 = 6 bar and pressure drop $\Delta p = 1$ bar                |
| drugi podatki                      | User manual on request  |



## Opis

Three-piece service units consisting of a reversible diaphragm pressure regulator, independent of inlet pressure, with self-relieving design, centrifugal separator and proportional lubricator.

## Artikel

| Opis           | Navoj   | pretok (L/min) | A (mm) | B        | C (mm) | DN | Ø manometra |
|----------------|---------|----------------|--------|----------|--------|----|-------------|
| K- 07 25 14 51 | G 1/4   | 600            | 172,0  | 182,6 mm | 51,0   | 6  | 50          |
| K- 07 25 14 58 | G 3/8   | 600            | 185,0  | 182,6 mm | 51,0   | 6  | 50          |
| K- 07 25 14 61 | G 3/8   | 1400           | 232,0  | 196,7 mm | 51,0   | 6  | 50          |
| K- 07 25 14 64 | G 1/2   | 3200           | 259,0  | 223,4 mm | 55,0   | 15 | 63          |
| K- 07 25 14 67 | G 3/4   | 3200           | 302,0  | 227,9 mm | 58,0   | 20 | 63          |
| K- 07 25 14 70 | G 1     | 3200           | 302,0  | 227,9 mm | 58,0   | 25 | 63          |
| K- 07 25 14 73 | G 1 1/4 | 5000           | 395,0  | 313,4 mm | 70,0   | 25 | 63          |
| K- 07 25 14 76 | G 1 1/2 | 5000           | 395,0  | 313,4 mm | 70,0   | 35 | 63          |

## Nadomestni deli

|                            |   |
|----------------------------|---|
| K-HALTERBAUSATZ STANDARD   | Holder  |
| K-SCHUTZKORB G             | Protective cage   |
| K-VERSCHLEI-SATZ           | Set of wearing parts                                      |
| K-FILTERELEMENT            | Filter element  |
| K-TROPFAUFSATZ POLYCARBO   | Drip attachment polycarbonate                             |
| K-LOESBARE DOPPELNIPPEL MS | Double nipples  |
| K-XV AGM MS NI             | Double nipples, parallel male thread, nickel-plated brass |
| K-RD NIPPEL MS NI          | Reducing nipples - nickel-plated brass                    |
| K-TROPFAUFSATZ METALL      | Drip attachment metal                                     |
| K-ABLASSVENTIL AUTO        | Fully-automatic drain valve with Adapter G 1/8            |
| K-AUTOMAT ABLASSVENTIL     | Automatic drain valve                                     |