

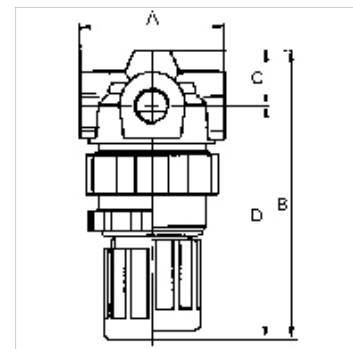
# K-DRG STANDARD-MINI

Pressure regulators

**HANSA FLEX**

## Lastnosti

vstopni tlak	Max. 28 bar
temperatura medija	max. 60 °C
temperatura okolice	Max. 60 °C
tesnilni material	NBR/TPU
vzmetni pokrov	POM-brass
ohišje	Die-cast zinc, painted silver
meritev pretoka	At P1 = 8 bar, P2 = 6 bar and pressure drop $\Delta p = 1$ bar
drugi podatki	User manual on request



## Opis

Reversible diaphragm pressure regulators with self-relieving design in compact design. The pressure setting can be locked by pushing the knob down.

## Artikel

Opis	Navoj	regulacijsko območje	pretok (L/min)	A (mm)	B	C (mm)	D (mm)	DN
K- 07 25 03 22	G 1/8	0.15 - 3.5 bar	340	43,0	72,5 mm	9,5	63,0	5
K- 07 25 03 23	G 1/8	0.2 - 7.0 bar	340	43,0	72,5 mm	9,5	63,0	5
K- 07 25 03 24	G 1/8	0.5 - 10.0 bar	340	43,0	72,5 mm	9,5	63,0	5
K- 07 25 03 25	G 1/4	0.15 - 3.5 bar	340	43,0	72,5 mm	9,5	63,0	5
K- 07 25 03 26	G 1/4	0.2 - 7.0 bar	340	43,0	72,5 mm	9,5	63,0	5
K- 07 25 03 27	G 1/4	0.5 - 10.0 bar	340	43,0	72,5 mm	9,5	63,0	5

## Nadomestni deli

K-HALTERBAUSATZ	Holder
K-SCHALTAFELMUTTER	Nut
K-LOESBARE DOPPELNIPPEL MS	Double nipples
K-XV AGM MS NI	Double nipples, parallel male thread, nickel-plated brass
K-VERSCHLEI-SATZ	Set of wearing parts