

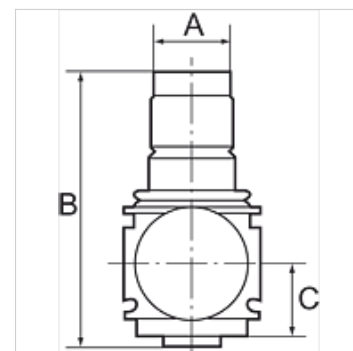
K-DRG VARIOBLOC

Pressure regulators

HANSA FLEX

Lastnosti

vstopni tlak	Max. 25 bar
temperatura medija	max. 50 °C
temperatura okolice	Max. 50 °C
tesnilni material	NBR
vzmetni pokrov	POM
ohišje	Die-cast zinc
membrana	NBR
meritev pretoka	At P1 = 10 bar, P2 = 6 bar and pressure drop $\Delta p = 1$ bar



Navodilo

Drugi podatki na zahtevo.

Opis

Reversible diaphragm pressure regulators, independent of inlet pressure, with self-relieving design. The pressure setting can be locked by pushing the knob down. Approved series in modern industrial design, with the following key benefits: Simple handling, Convenient modular assembly thanks to innovative fasteners, Excellent flow values.

Navodila za naročanje

Pressure regulators are also available in lockable version. Please ask for more information.

Artikel

Opis	Navoj	regulacijsko območje	pretok (L/min)	A (mm)	B	C (mm)
K- 07 25 04 18	G 1/4	0.5 - 6 bar	2000	48,0	98,0 mm	26,0
K- 07 25 04 19	G 1/4	0.5 - 10 bar	2000	48,0	98,0 mm	26,0
K- 07 25 04 20	G 1/4	0.5 - 16 bar	2000	48,0	98,0 mm	26,0
K- 07 25 04 21	G 3/8	0.5 - 6 bar	3200	48,0	98,0 mm	26,0
K- 07 25 04 22	G 3/8	0.5 - 10 bar	3200	48,0	98,0 mm	26,0
K- 07 25 04 23	G 3/8	0.5 - 16 bar	3200	48,0	98,0 mm	26,0
K- 07 25 04 24	G 1/2	0.5 - 6 bar	7000	70,0	134,0 mm	32,5
K- 07 25 04 25	G 1/2	0.5 - 10 bar	7000	70,0	134,0 mm	32,5
K- 07 25 04 26	G 1/2	0.5 - 16 bar	7000	70,0	134,0 mm	32,5
K- 07 25 04 27	G 3/4	0.5 - 6 bar	8000	70,0	134,0 mm	32,5
K- 07 25 04 28	G 3/4	0.5 - 10 bar	8000	70,0	134,0 mm	32,5
K- 07 25 04 29	G 3/4	0.5 - 16 bar	8000	70,0	134,0 mm	32,5
K- 07 25 04 30	G 1	0.5 - 6 bar	8000	124,0	134,0 mm	32,5
K- 07 25 04 31	G 1	0.5 - 10 bar	8000	124,0	134,0 mm	32,5
K- 07 25 04 32	G 1	0.5 - 16 bar	8000	124,0	134,0 mm	32,5

Nadomestni deli

K-VERSCHLEI-SATZ VARIOBLOC Set of wearing parts